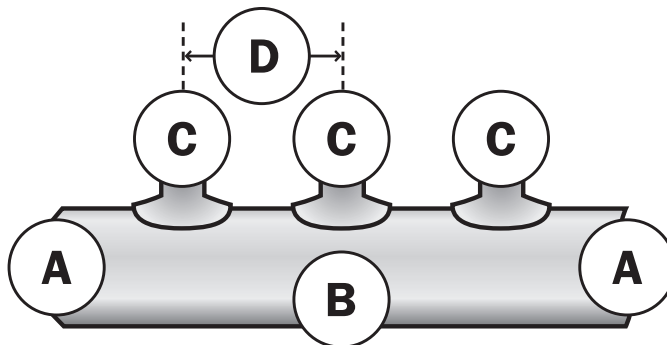


BranchMaster™

Special Order Copper Manifolds



A Trunk Ends

- Spin-closed
- 3/4" PEX barb
- 3/4" MSWT or FSWT
- 3/4" MIP or FIP thread
- 1" MSWT or FSWT
- 1 1/4" MSWT or FSWT
- 1 1/2" MSWT or FSWT
- 2" MSWT or FSWT
- Full port ball valve

B Trunk

- 3/4" Type L Copper
- 1" Type L Copper
- 1 1/4" Type L Copper
- 1 1/2" Type L Copper
- 1 3/4" Type L Copper
- 2" Type L Copper
- All sizes are nominal CTS

C Branches

- 3/8" PEX barb
- 1/2" PEX barb
- 1/2" MSWT or FSWT
- 1/2" MIP or FIP thread
- 3/4" PEX barb
- 3/4" MSWT or FSWT
- 3/4" MIP or FIP thread
- 1" PEX barb
- 1" MSWT or FSWT
- 1" MIP or FIP thread

D Branch Intervals

- 1 1/2"
 - 2"
 - 2 1/2"
- (and every half-inch after)

All available with brass ball valves

A Trunk Ends _____

B Trunk Size _____ nom. Type L Copper

C Branch Type _____

Number of Branches _____ Ball Valves on Branches

Branch-to-Trunk Attachment Brazed
 Lead-free Soldered

D Branch On-Center Intervals _____

Brief description of application _____

Name _____ Company _____

Phone _____ Fax _____ Email _____

Fax to Sioux Chief at **1-800-758-5950** Attn:

BRANCHMASTER SPECIAL ORDER - 1/07 © 2007 SIOUX CHIEF MANUFACTURING



Supply • Drainage • Support • Testing • Specialties • Tools • Access



www.siouxchief.com 1-800-821-3944