

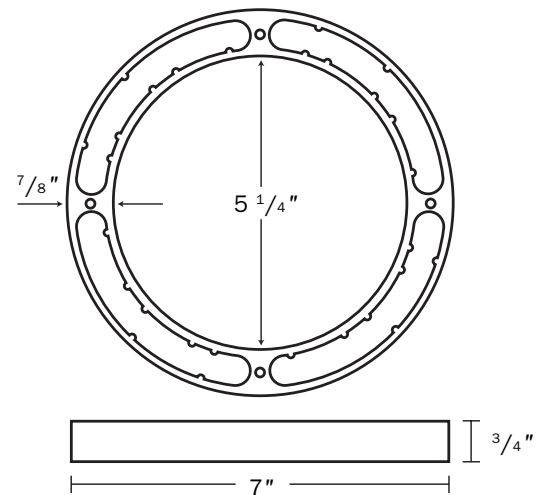
QUICK SPACER™

Closet Flange Spacer Ring

NEW

When the flange must be raised to compensate for extra floor height added by lightweight concrete pours.

- *Eliminates lightweight concrete pours from running under flange and down the hole in floor.*
- *No need to seal the hole around closet flange.*
- *Each ring provides $\frac{3}{4}$ " of extra height. Use multiple rings when additional height is needed.*
- *Provides a solid surface for closet flange to rest on—same O.D. as most closet flanges.*
- *No need to raise flanges with shims or other less precise methods.*
- *Allows finished floors to be installed right up to the edge of the closet flange for a clean professional look everytime.*
- *Installs quickly, saving time & money.*



BUYING INFORMATION

Item No.	Description	Box Qty.	List Price Each
886-ER	Quick Spacer - closet flange spacer ring	25	2.00

tel: 1-800-821-3944 816-779-6104 • www.siouxchief.com • fax: 1-800-758-5950 816-758-5950

Distributed by

Sioux Chief
MANUFACTURING COMPANY



SEBv2-5/02 QUICK SPACER © 2002 SIOUX CHIEF MFG.

P.O. Box 397 • 24110 South Peculiar Drive • Peculiar, Missouri 64078 U.S.A.

Smart Products for Smart Plumbers