

URINAL FLANGE

868 series

SPECIFICATION

Sioux Chief 868 series urinal flanges shall be used where necessary in drainage systems. Flanges shall have a 2" hub, spigot or inside-fit connection which conform to ASTM D2665 for PVC or ASTM D2661 for ABS. Connection to DWV system shall be made with a solvent weld joint to ABS/PVC pipe.

Item Number
Submitted:

868 - _____

MATERIALS

FLANGE: ABS or PVC
BOLTS: Stainless steel
WASHERS: Stainless steel
NUTS: Stainless steel
GASKET: Foam rubber

CONNECTION TYPE

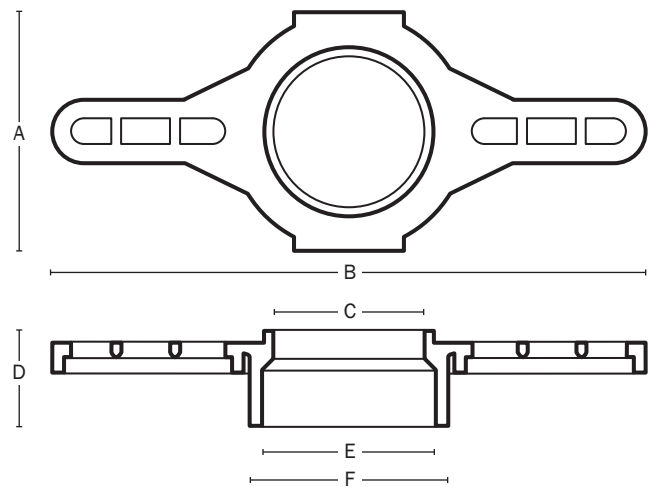
Hub, spigot or inside-fit

SLOT CONFIGURATION

SLOTS: Fit 3½"–7" mounting centers

DIMENSIONS

	Hub	Spigot	Inside-Fit
A: Flange height	3½"	3½"	3½"
B: Flange length	8½"	8½"	8½"
C: Inlet diameter	2"	2"	2"
D: Flange depth	1⅜"	2⅜"	2⅜"
E: Connection I.D.	2⅜"	2"	1¾"
F: Connection O.D.	2¾"	2⅜"	2"



Create Item Number Below

868-AB

e.g. 868-5P = 2" hub connection PVC urinal flange.

A Connection Type

- 5** Hub connection
- 7** Inside-fit connection
- 9** Spigot connection

B Material

- P** PVC
- A** ABS