

CLOSET FLANGE

888 series

SPECIFICATION

Sioux Chief 888 series closet flanges shall be used where necessary in drainage systems. Flange shall have an adjustable stainless steel swivel ring with sufficient bolt holes for securing to floor, and two bolt tracks for the installation of closet bolts. Flange throat shall be at least 2.75" for improved flow and clog resistance. Flange shall solvent weld inside of 3" Sch. 40 DWV pipe and hold a standard head test. TKO™ knockout shall be designed to remain in one piece and not fall down the drainage line during removal.

Item Number
Submitted:

888- _____

TAG

MATERIALS

FLANGE BODY: ABS, PVC

SWIVEL RING: 409 Series stainless steel

CONNECTION TYPE

Solvent welds inside 3" Sch. 40 DWV pipe

INSTALLATION NOTES

For flush installations on concrete floors, the concrete around the 3" pipe must be chipped away in a 5/8" wide by 3/8" deep ring to insure the flange can be set flush with the floor. Fasten swivel ring to floor.

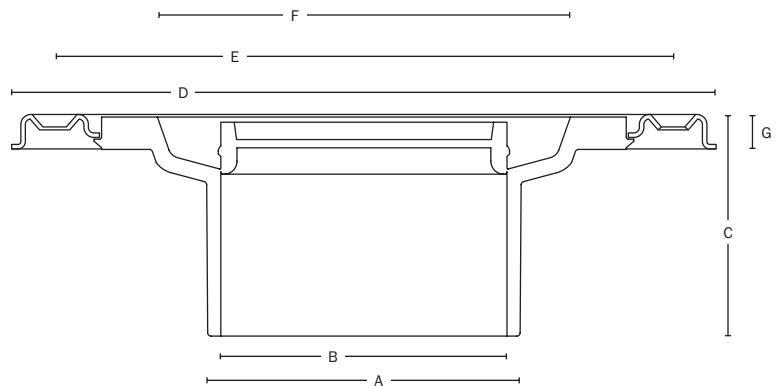
RING CONFIGURATION

SCREW HOLES: Six screw holes for securing to floor

BOLT TRACKS: Two tracks for installation of closet bolts

DIMENSIONS

A: Tailpiece O.D.	3"
B: Tailpiece I.D.	2 ³ / ₄ "
C: Overall Height	2 ¹ / ₄ "
D: Ring Diameter	7"
E: Screw-holes O.C.	6"
F: Opening Diameter	4"
G: Ring Height	3/8"



Create Item Number Below

888-A

e.g. 888-PTM = PVC inside 3" closet flange with TKO knockout and SS swivel ring

A Connection Type

- ATM** ABS solvent weld connection
 PTM PVC solvent weld connection