

ADJUSTABLE CLEANOUT

851 series

SPECIFICATION

Sioux Chief 851 Series adjustable cleanout shall be used where necessary in drainage systems. Cleanout shall connect to DWV system by means of an ABS or PVC adapter which includes a slotted cleanout plug. Cleanout plug shall be polypropylene to increase acid resistance and prevent siezing, and include a center threaded brass insert to accept cover screw. Cover shall connect to adapter by means of three set screws positioned around lower circumference of cover on 120° centers, which allow vertical adjustment of cover. Adapter shall have a solvent weld hub connection in PVC or ABS.

Item Number
Submitted:

851- _____

MATERIALS

ADAPTER BODY: PVC, ABS

COVER: Cast nickel, cast tenz alloy, cast iron, nickel/tenz alloy laminated cast iron

SET SCREWS: Square head, 1/4-20

COVER SCREW: Stainless steel, Phillips head, 1/4-20

PLUG: Polypropylene, slotted with threaded brass insert



851-44N

COVER LOAD RATING

NICKEL: 2,400 lbs.

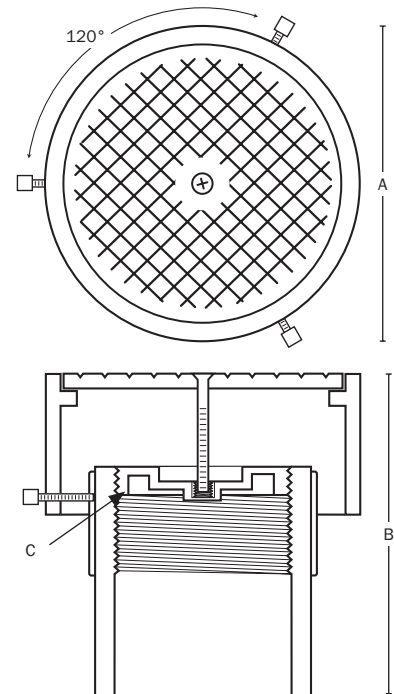
TENZ ALLOY: 1,500 lbs.

CAST IRON: 10,000 lbs.

LAMINATED CAST IRON: 10,000+ lbs. (Special Duty)

DIMENSIONS

| A: Top Diameter | NICKEL/TENZ COVER | CAST IRON COVER | LAMINATED CAST IRON COVER |
|----------------------------|---|--------------------|------------------------------|
| 3" cleanout: | 4 7/8" | 5" | 5" |
| 4" cleanout: | 6" | 6" | 6" |
| 6" cleanout: | 8 3/8" | 8 1/2" | 8 1/2" |
| B: Overall Cleanout Height | | | |
| 3" cleanout: | 3 1/2" - 4 1/2" | 4" - 5 3/4" | 4 1/4" - 6" |
| 4" cleanout: | 3 3/4" - 4 3/4" | 4 1/2" - 6 1/4" | 4 3/4" - 6 1/2" |
| 6" cleanout: | 5 1/2" - 6 3/4" | 6" - 7 3/4" | 6 1/4" - 8" |
| C: Cleanout Plug | | | |
| 3" cleanout: | Polypropylene - 3" MIP thread - slotted | | |
| 4" cleanout: | Polypropylene - 4" MIP thread - slotted | | |
| 6" cleanout: | Polypropylene - 6" MIP thread - slotted | | |



Create Item Number Below

851-A B C D

e.g. 851-43iNCV = PVC adapter body, 3" Sch. 40 hub connection, Satin finish nickel laminated cast iron cover with vandal-proof screw

A Optional Adapter

- 3 ABS Solvent Weld
- 4 PVC Solvent Weld

B Optional Size

- 3 3" Sch. 40 hub
- 4 4" Sch. 40 hub
- 6 6" Sch. 40 hub

C Optional Cover

- N Satin finish Cast Nickel
- T Tenz Alloy Cover
- i Cast Iron Cover
- iN Satin Nickel Lam. Cast Iron
- iT Tenz Alloy Lam. Cast Iron

D Options Factory installed

- S Stamping (SAN, ST, CO)
- V¹ Vandal-proof cover screw

1 Not available on cast iron covers