

BACKUP FLOAT VALVE

803 series

SPECIFICATION

Sioux Chief 803 series backup float valve shall be used where necessary in drainage systems. Backup valve shall install into vertically oriented drainage pipe and allow water to drain through freely under normal operation. During back-up situations, float shall seal valve and prevent water backup through drain fixture.

MATERIALS

top/bottom plate: galvanized or epoxy-coated steel

screws: stainless steel

compression gasket: molded elastomer

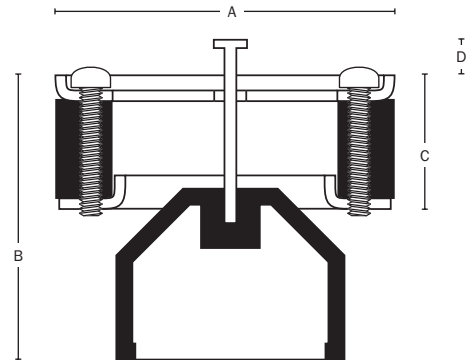
float: molded elastomer with brass insert

float wire: stainless steel

DIMENSIONS

A: nominal pipe size	2", 3", or 4" drain pipe
B: overall height: fully open / fully closed	
2" pipe model	2.71" / 1.44"
3" pipe model	2.875" / 1.95"
4" pipe model	3.25" / 2.63"
C: body height:	
2" pipe model	1.45"
3" pipe model	1.03"
4" pipe model	1.45"
D: wire height: fully closed	
2" pipe model	0.33"
3" pipe model	1.07"
4" pipe model	0.70"

Item # Submitted	_____
Job Name	_____
Location	_____
Engineer	_____
Contractor	_____
PO#	_____ TAG _____



Create Item Number

803-A

e.g. 803-3PK2 = Backup float valve for 3" nominal drain pipe

- | | |
|-------------------------------|-------------------|
| <u>A</u> | NOMINAL PIPE SIZE |
| <input type="checkbox"/> 2PK2 | 2" drain pipe |
| <input type="checkbox"/> 3PK2 | 3" drain pipe |
| <input type="checkbox"/> 4PK2 | 4" drain pipe |