

MAIN ROOF DRAIN

868 series

SPECIFICATION

Sioux Chief 868 Series cast iron main roof drains shall be used where necessary in drainage systems. Roof Drain shall have a low-profile enamel coated cast iron dome strainer, and cast iron gravel guard. Strainer shall turn-to-lock into gravel guard. Cast iron drain body shall have no-hub connection.

MATERIALS

dome strainer: enamel-coated cast iron

gravel guard: enamel-coated cast iron

drain body: enamel-coated cast iron

STRAINER FREE AREA

75.75 square inches

CONNECTION TYPE

cast iron no-hub

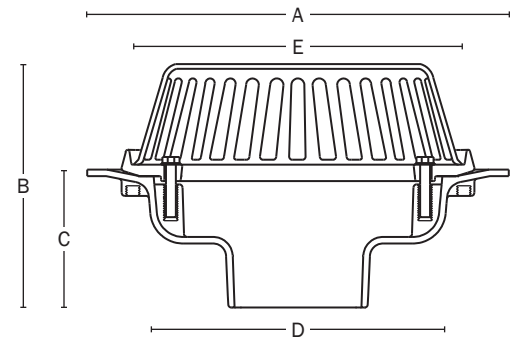
DIMENSIONS

A: flange diameter	15"
B: overall height	9.5"
C: body height	5"
D: body diameter	11.5"
E: gravel guard diameter	13.625"

Item # Submitted	_____
Job Name	_____
Location	_____
Engineer	_____
Contractor	_____
PO#	_____ TAG _____



868-1504



Create Item Number

868-A B

e.g. 868-1504US = 4" cast iron no-hub main roof drain with cast iron dome strainer, underdeck clamp, and sump receiver

A	CONNECTION SIZE
<input type="checkbox"/> 1503	3" no-hub
<input type="checkbox"/> 1504	4" no-hub
<input type="checkbox"/> 1506	6" no-hub
<input type="checkbox"/> 1508	8" no-hub

B	OPTIONS
<input type="checkbox"/> U	underdeck clamp kit
<input type="checkbox"/> S	sump receiver
<input type="checkbox"/> W	external water dam

ACCESSORIES	
<input type="checkbox"/> 868-15U	Underdeck clamp kit: two-piece cast iron clamping plate with hardware
<input type="checkbox"/> 868-15S	Sump receiver: 24" x 24" x 15-gauge galvanized steel
<input type="checkbox"/> 868-15WD	External water dam: 2" high, cast iron external water dam