

SUSPENSION CLAMP FOR CTS PIPING

557 series

SPECIFICATION

Sioux Chief 557 series suspension clamps are to be used where necessary to secure or suspend CTS piping in residential or commercial applications. Tube clamp has a split, ribbed design to allow for use after piping is run and to allow pipe to expand and contract. Spread each side of the clamp and position clamp around the tube. Use approved nail or screw in both of the provided holes to secure to stud member or structure. Clamps are compatible with CTS copper, PEX or CPVC tube.

MATERIALS

standard (ivory): high impact polypropylene

plenum-safe (orange): polyvinylidene fluoride meets ASTM E84 25/50 with UL 94 V-0 rating

WORKING TEMPERATURES

maximum temperature: 140°F (continuous)

Impact resistant to 0°F

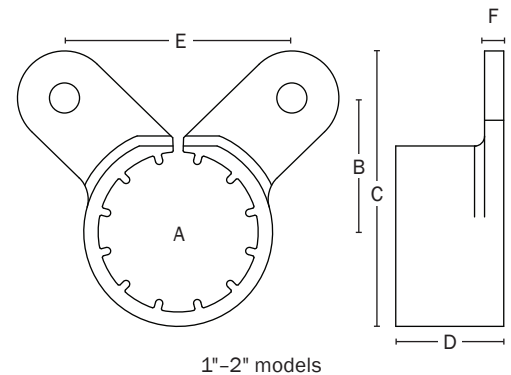
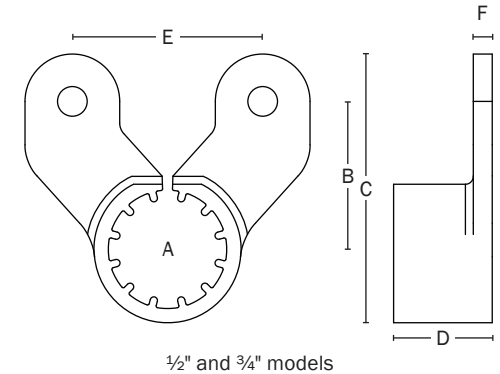
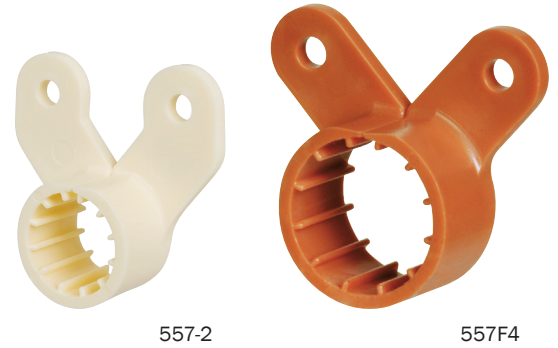
SAFE WORKING LOAD

15 lbs.

DIMENSIONS

	557-2	557-3	557-4	557-5	557-6	557-7
A: tube size (CTS)	½"	¾"	1"	1¼"	1½"	2"
B: screw hole to tube center	0.938"	1.108"	1.013"	1.188"	1.363"	1.663"
C: overall height	1.703"	1.998"	2.019"	2.332"	2.639"	3.219"
D: overall depth	0.625"	0.675"	0.825"	0.975"	1.025"	1.125"
E: mounting hole center-lines	1.206"	1.409"	1.421"	1.827"	1.827"	2.436"
F: mounting tab wall thickness	0.12"	0.12"	0.12"	0.15"	0.15"	0.15"

Item # Submitted	_____
Job Name	_____
Location	_____
Engineer	_____
Contractor	_____
PO#	_____ TAG _____



Create Item Number

557-AB

e.g. 557F3 = Plenum-safe ¾" CTS suspension clamp

- A MATERIAL**
- high-impact polypropylene
 - F polyvinylidene fluoride

- B SIZE**
- 2 ½" CTS
 - 3 ¾" CTS
 - 4 1" CTS
 - 5 1¼" CTS
 - 6 1½" CTS
 - 7 2" CTS