

POLYETHYLENE CTS TUBE HANGER

551-P series

PadLock™

Item # Submitted	_____
Job Name	_____
Location	_____
Engineer	_____
Contractor	_____
PO#	_____ TAG _____

SPECIFICATION

Sioux Chief 551-P series PadLock, full clamp pipe hanger shall be used where necessary to secure CTS copper, PEX, or CPVC tube in piping systems. Hanger shall be 100% corrosion proof and U.V. resistant. Hanger shall be impact resistant to 0°F, and be able to withstand continuous temperatures up to 160°F. Hanger shall have a preloaded nail which shall be rust resistant, zinc-plated. Preloaded nail shall have a continuous rink shank to provide a more permanent installation. PadLock with pre-loaded drill tip screw is also an option. Hanger shall protect tube from abrasive mounting surface and help to eliminate ticking noises. Hanger shall snap onto CTS tube for easy installation and shall allow for expansion and contraction of tube with less noise. Hanger shall be designed to avoid tube damage if nail is over driven and designed so that there is no way for the tube to escape.

INSTALLATION

Install PadLock at intervals described in local plumbing code for the type of pipe or tube being fastened.

MATERIALS

body: U.V. protected high density polyethylene
nail: zinc-coated ring shank
screw: zinc-plated, pan-head Phillips with drill tip

SAFE WORKING LOAD

551-P2_: 12 lbs.
 551-P3_: 16 lbs.

SAFE WORKING TEMPERATURE

impact resistance to 0°F (18°C)
 maximum temperature: 160°F (71°C) continuous

DIMENSIONS

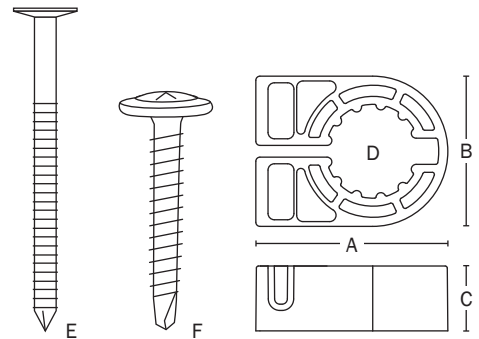
	551-P2_	551-P3_
A: length	1"	1 3/8"
B: height	1 1/8"	1 1/2"
C: width	3/8"	7/16"
D: tube size	1/2" CTS	3/4" CTS
E: nail size	#6 × 1 7/8"	#8 × 2 3/8"
F: screw size	#6 × 1 3/4"	#6 × 2"



551-P2



551-P3S



Create Item Number

551-P A B

e.g. 551-P2S = 1/2" CTS LockBlock with screw

A TUBE SIZE

- 2 1/2" CTS
- 3 3/4" CTS

B OTHER OPTION

- _ With preloaded nail
- S With preloaded screw