

ADJUSTABLE FLOOR DRAIN WITH DECK FLANGE

822 series

Halo Drain™

SPECIFICATION

Sioux Chief 822 series adjustable floor drain shall be used where necessary in drainage systems. Drain shall allow adjustment of 3/4" above the deck. Floor drain shall have an enamel-coated ductile iron body with no-hub connection. Deck Flange shall be 18 gauge stainless steel and attach to deck with screws or nails. Strainer shall be heel-proof and meet applicable load requirements for intended use. Trap primer port shall be threaded 1/2" FIP and plugged for optional connection. Designed in accordance with ASME A112.6.3-2001

MATERIALS

ring/strainer: nickel-bronze, 304 stainless steel
head adapter: ductile iron
deck flange: 18-gauge 430 stainless steel
base adapter: ductile iron

STRAINER LOAD RATING

nickel-bronze: 1,000 lbs. (light duty, pedestrian traffic)
stainless steel: 2,000 lbs. (light duty, pedestrian traffic)

STRAINER FREE AREA

round: 7.5 in² (22.75 GPM)*
square: 12.75 in² (39 GPM)*

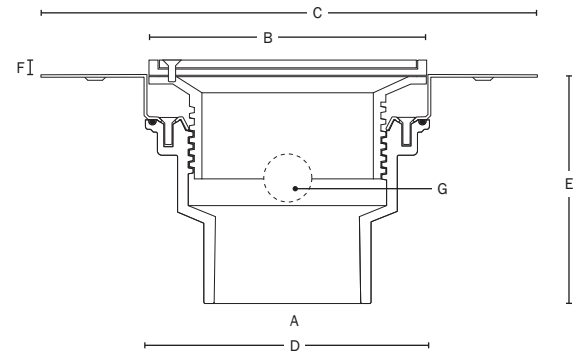
DIMENSIONS

A: connection size	2" or 3" no-hub
B: ring/strainer diameter	
round / square	5 1/2" / 5 7/8"
C: flange diameter	9 1/2"
D: body diameter	5 7/8"
E: body height	4 3/8"
F: adjustable finish height**	
round / square	0" - 3/4" / 5/16" - 3/4"
G: trap primer port	1/2" FIP thread - plugged

* Indicates flow rate of the strainer (not necessarily of the fixture) at 1/2" head.

** When using clamping collar, min dimension is 1/2".

Item # Submitted	_____
Job Name	_____
Location	_____
Engineer	_____
Contractor	_____
PO#	_____ TAG _____



Create Item Number

822-ABCD

e.g. 822-3DNR = Halo drain with 3" no-hub connection, and round nickel-bronze ring and strainer

A CLAMPING COLLAR

(skip if no collar is necessary)

M Clamping collar kit included

(No collar is standard unless otherwise specified)

D Options

V Vandal-resistant strainer screws

B Complies with Buy American Act¹

9 90° side-outlet

¹ Available only on round nickel-bronze ring & strainer

B CONNECTION SIZE

2D 2" no-hub

3D 3" no-hub

C RING & STRAINER

NR round cast nickel-bronze

NQ square cast nickel-bronze

SR round cast stainless steel

SQ square cast stainless steel

ACCESSORIES

822-EX3 Extension nipple²

863-FA 4" aluminum condensate funnel

863-FN 4" nickel-bronze condensate funnel

832-S3 shim kit

² Extends head 1-3/4" (min) to 3-3/8" (max) above deck flange