

ADJUSTABLE FLOOR DRAIN WITH DECK FLANGE

822 series

Finish Line Halo Drain™

SPECIFICATION

Sioux Chief 822 series adjustable floor drain shall be used where necessary in drainage systems. Floor drain shall allow adjustment of 1" after the concrete pour. Drain shall have an enamel-coated ductile iron body with no-hub connection. Deck flange shall be 18 gauge stainless steel and attach to deck with screws or nails. Strainer shall be heel-proof and meet applicable load requirements for intended use. Trap primer port shall be threaded 1/2" FIP and plugged for optional connection. Designed in accordance with ASME A112.6.3-2001

MATERIALS

ring/strainer: nickel-bronze, 304 stainless steel
head adapter, coring sleeve: ductile iron
coring plug: high-impact polymer
deck flange: 18 GA. 430 stainless steel
base adapter: ductile iron

STRAINER LOAD RATING

nickel-bronze: 1,000 lbs. (light duty, pedestrian traffic)
stainless steel: 2,000 lbs. (light duty, pedestrian traffic)

STRAINER FREE AREA

round: 7.5 in² (22.75 GPM)*
square: 12.75 in² (39 GPM)*

DIMENSIONS

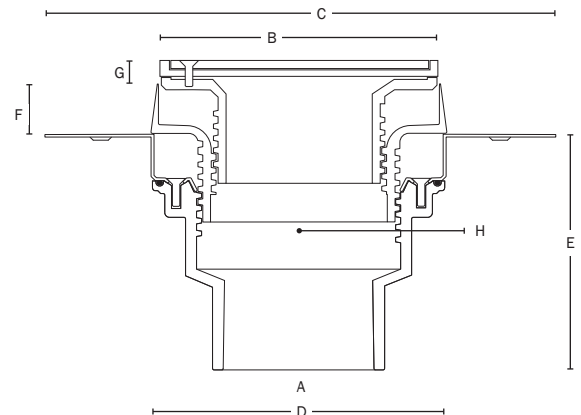
A: connection size	2" or 3" no-hub
B: ring/strainer diameter	
round / square	5 1/2" / 5 7/8"
C: flange diameter	9 1/2"
D: body diameter	5 7/8"
E: body height	4 3/8"
F: sleeve height	1"
G: adjustable finish height	
round / square	0" - 1" / 5/16" - 1"
H: trap primer port	1/2" FIP thread - plugged

* Indicates flow rate of the strainer (not necessarily of the fixture) at 1/2" head.

Item # Submitted	_____
Job Name	_____
Location	_____
Engineer	_____
Contractor	_____
PO#	_____ TAG _____



822-F3DSR



Create Item Number

822-ABCD

e.g. 822-F3DSQ = Finish Line Halo drain with 3" no-hub connection, and 304 square stainless steel ring and strainer

A CLAMPING COLLAR

(skip if no collar is necessary)

M Clamping collar kit included

(No collar is standard unless otherwise specified)

D Options

V Vandal-resistant strainer screws

B Complies with Buy American Act¹

9 90° side-outlet

¹ Available only on round nickel-bronze ring & strainer

B CONNECTION SIZE

F2D 2" no-hub

F3D 3" no-hub

C RING & STRAINER

NR round cast nickel-bronze

NQ square cast nickel-bronze

SR round cast stainless steel

SQ square cast stainless steel

ACCESSORIES

822-EX3 Extension nipple²

863-FA 4" aluminum funnel

863-FN 4" nickel-bronze funnel

832-S3 shim kit

² Fits between body and sleeve - extends sleeve 2-1/8" (min) to 3-3/4" (max) above deck flange