

SHOWER PAN DRAIN

821 series

SPECIFICATION

Sioux Chief 821 series shower pan drain shall be used where necessary in drainage systems. Drain shall have a beveled flashing base adapter with mounting holes for subfloor installation. Strainer shall meet all load and flow requirements for installations in shower areas. Clamping collar shall fasten to drain body with four screws that thread into brass inserts. Drain body shall have a 2" Sch. 40 hub connection and connect to DWV pipe via solvent weld joint. Designed in accordance with ASME A112.18.2-2005 / CSA B125.2-05.

MATERIALS

strainer: nickel-bronze, 304 stainless steel
head adapter: ABS
clamping collar: ABS
base adapter: ABS or PVC

STRAINER LOAD RATING

1,000 lbs.

STRAINER FREE AREA

round: 4.5 in²

square: 7.6 in²

STRAINER FLOW CAPACITY*

round: 9.7 GPM

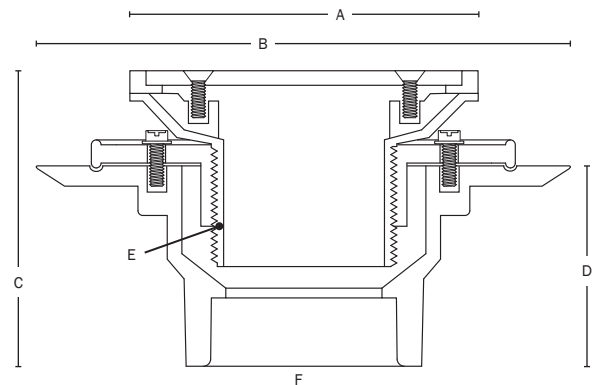
square: 16.4 GPM

DIMENSIONS

A: top diameter 4½"
 B: flange diameter 6⅝"
 C: adjustable height 3 15/16" - 5 15/16"
 D: drain body height 2⅝"
 E: top housing thread 2" MIPS
 F: connection 2" Sch. 40 Hub

* Indicates flow rate of the strainer (not necessarily of the fixture) at ¼" head.

Item # Submitted	_____
Job Name	_____
Location	_____
Engineer	_____
Contractor	_____
PO#	_____ TAG _____



Create Item Number

821-AB

e.g. 821-200PCR = Shower pan drain with 2" Sch. 40 hub connection, and round pattern polished stainless ring/strainer

- | | | | | | | |
|--------------------------|------------------------|--------------------------|---|--------------------------|------------|--|
| A | CONNECTION TYPE | B | RING/STRAINER | <input type="checkbox"/> | NQ | nickel-bronze - square |
| <input type="checkbox"/> | 200A ABS Sch. 40 hub | <input type="checkbox"/> | NR nickel-bronze - round | <input type="checkbox"/> | RBQ | oil-rubbed bronze finish ¹ - square |
| <input type="checkbox"/> | 200P PVC Sch. 40 hub | <input type="checkbox"/> | RBR oil-rubbed bronze finish ¹ - round | <input type="checkbox"/> | SQ | satin stainless - square |
| | | <input type="checkbox"/> | SR satin stainless - round | <input type="checkbox"/> | CQ | polished stainless - square |
| | | <input type="checkbox"/> | CR polished stainless - round | | | |

¹ Powder-coat finish applied to nickel-bronze ring/strainer