

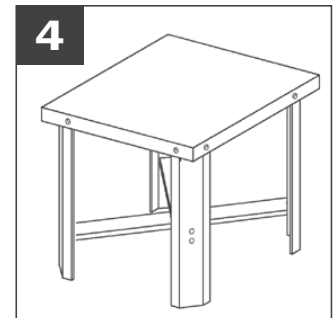
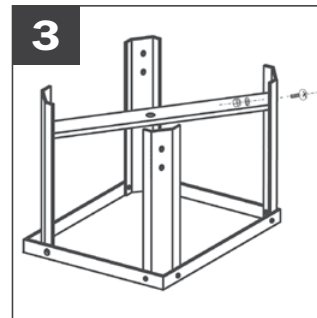
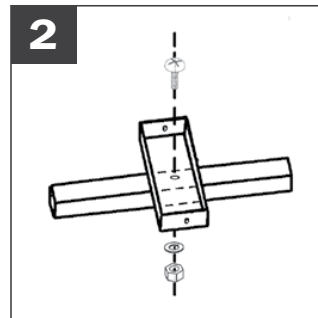
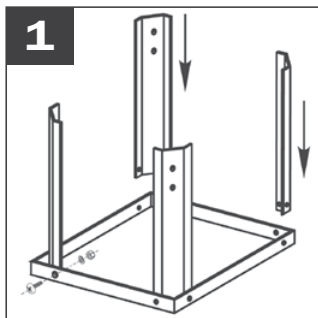
Water Heater Stand

» For 30-100 Gallon Units



598-010

- Durable, galvanized steel construction. Made in USA.
- Meets National Fuel Gas Code Requirements
- Individually boxed taking up less floor or shelf space in the warehouse.
- Assembles in minutes; all hardware included.



» Buying Information

ITEM NO.	DESCRIPTION	DIMENSIONS	WATER HEATER CAPACITY	GAUGE	PKG	MIN QTY	CASE QTY	MAX LOAD
Water Heater Stand								
598-010	Standard	21" x 21" x 18"	30 - 50 gal.	18	B	1	1	650 lbs
598-011	Fast assemble	21" x 21" x 18"	30 - 50 gal.	18	B	1	1	650 lbs
598-012	Heavy duty	24" x 24" x 18"	50 - 100 gal.	16	B	1	1	1,300 lbs

14940 Thunderbird Road
 Kansas City, MO 64147
 P 1.800.821.3944
 F 1.800.758.5950