

TOP BEAM CLAMP

» 542

SPECIFICATION

Sioux Chief 542 Top Beam Clamp shall be used where necessary to suspend or support up to 4" IPS or CTS piping with 3/8" threaded rod from steel I-beams with maximum 9/16" flange in accordance with national code requirements (locknut included). Beam clamp shall comply with MSS-SP58 Type 19. Design shall allow installation pitch of 7° and clamp shall be UL and FM listed.

INSTALLATION

Secure clamp upright to I-beam flange, following "up" marking on clamp and tighten set screw. Install 3/8" threaded rod through captured nut. Suspend hanger clevis, adjustable swivel/loop hanger, strut channel or other approved hanger device from opposite end of rod in accordance with national code requirements.

MATERIALS

10-ga. galvanized G90 steel

Set Screw: Square head cup point SAE J429 GR2, zinc-plated (1010 min) Case hardened to 15N80

Nuts: 3/8-16 ANSI/ASME B18.2.2 zinc-plated GR2 steel

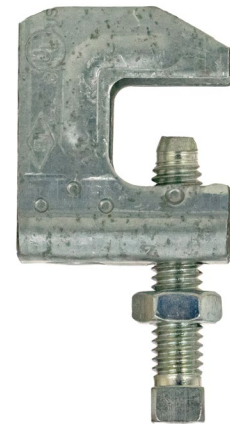
SAFE WORKING LOAD

400 lbs.

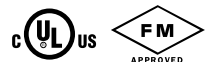
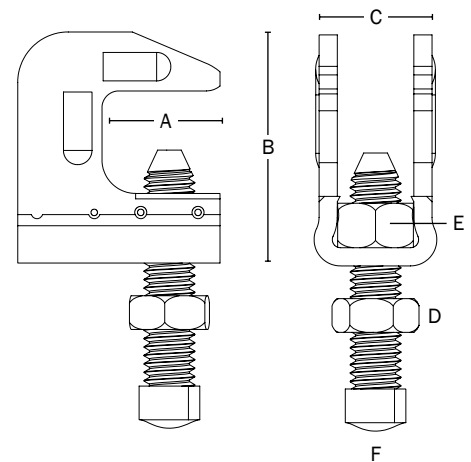
DIMENSIONS

- A:** Clamping depth 7/8"
- B:** Height 1-3/4"
- C:** Width 7/8"
- D:** Jam nut 3/8-16
- E:** Hex nut (x2) 3/8-16
- F:** Screw 3/8-16 x 1-3/4"

ITEM # SUBMITTED	_____
JOB NAME	_____
LOCATION	_____
ENGINEER	_____
CONTRACTOR	_____
PO#	_____
TAG	_____



542



Made in USA

Item Number

542 Domestic Top Beam Clamp