

# ADJUSTABLE FLOOR DRAIN WITH DECK FLANGE

822 SERIES

FinishLine™

## SPECIFICATION

Sioux Chief 822 series adjustable floor drain shall be used where necessary in drainage systems. Floor drain shall have an 18 gauge stainless steel mounting flange and ABS/PVC body with Sch. 40 hub connection. Floor drain shall allow adjustment of 1" after the concrete pour. Strainer shall meet applicable load requirements for intended use. Trap primer port shall be threaded 1/2" FIP for optional connection. Designed in accordance with ASME A112.6.3.

## MATERIALS

**Ring/strainer:** Nickel-bronze, 304 Stainless steel  
**Head adapter/Coring sleeve:** gray ABS  
**Coring plug:** high-impact polymer  
**Mounting flange:** 430 Stainless steel - 18 gauge  
**Sealing gasket:** EPDM  
**Base adapter:** ABS, PVC

## STRAINER LOAD RATING

**Nickel-Bronze** (heel-resistant): 1,000 lbs. (light duty)  
**Stainless Steel** (heel-resistant): 2,000 lbs. (light duty)

## STRAINER FREE AREA

**Round:** 8.5 in<sup>2</sup>  
**Square:** 12.75 in<sup>2</sup>

## DIMENSIONS

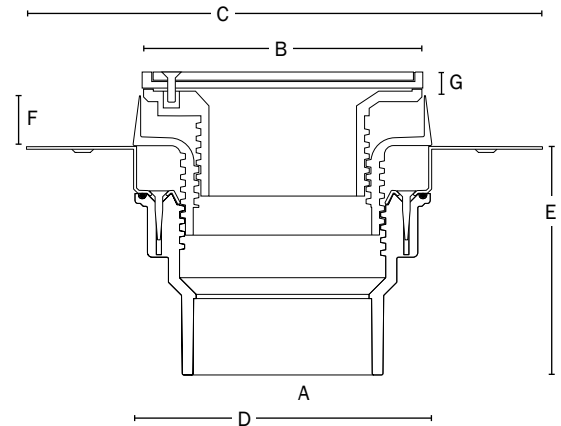
<b>A:</b> Connection size*	2" or 3" Sch. 40 hub
<b>B:</b> Ring/strainer diameter	
Round   Square	5-1/2"   5-7/8"
<b>C:</b> Flange diameter	9-1/2"
<b>D:</b> Body diameter	5-7/8"
<b>E:</b> Body height	4-3/8"
<b>F:</b> Sleeve height	1"
<b>G:</b> Post-pour adjustable height	
Round   Square	0" - 1"   5/16" - 1"

\* Base adapters are designed to fit over 2" and inside 3" or over 3" and inside 4" Sch. 40 ABS/PVC

ITEM # SUBMITTED	_____
JOB NAME	_____
LOCATION	_____
ENGINEER	_____
CONTRACTOR	_____
PO#	_____ TAG _____



822-F3PNQ



## Create Item Number

### 822-ABCD

e.g. **822-F2PNRV:** 2" Sch. 40 hub adjustable floor drain with round nickel-bronze strainer and vandal-resistant screws

#### CLAMPING COLLAR **A**

**M** = Clamping collar kit

No collar is standard - unless this option is selected

#### CONNECTION SIZE / TYPE **B**

**F2A** = 2" ABS Sch. 40 hub

**F2P** = 2" PVC Sch. 40 hub

**F3A** = 3" ABS Sch. 40 hub

**F3P** = 3" PVC Sch. 40 hub

#### RING/STRAINER TYPE **C**

**NR** = Round Nickel-bronze

**SR** = Round Stainless steel

**NQ** = Square Nickel-bronze

**SQ** = Square Stainless steel

#### OPTIONS **D**

**V** = Vandal-resistant strainer screws

**B** = Complies with Buy American Act<sup>1</sup>

**E** = 1-1/4" Extended strainer rim<sup>1</sup>

#### Accessories - Available Separately:

822-CKIT: Clamping collar kit (stainless steel collar, screws)

822-EX3: Threaded extension adapter - Fits between sleeve and body. Extends sleeve 2" (min) to 3-3/4" (max) above mounting flange

832-EPS3: Extended ABS coring sleeve & plug

832-EX3: Threaded extension adapter - Fits between head and sleeve. Extends head 2" (min) to 3-3/4" (max) above sleeve rim

832-P: Coring Plug wrench

832-S3: Leveling shim kit for Std. top

832-W: Flexible locating bristles kit

835-2: TrapShield™ for 2" drain outlet

835-3: TrapShield™ for 3" drain outlet

863-FA: Round aluminum condensate funnel

863-FN: Round nik-brz condensate funnel

863-FNO: Oval nik-brz condensate funnel

<sup>1</sup> Available only for round, nickel-bronze ring/strainers above Coring Sleeve