

# ADJUSTABLE FLOOR DRAIN WITH DECK FLANGE

822 SERIES

Halo™

## SPECIFICATION

Sioux Chief 822 series Halo adjustable floor drain shall be used where necessary in drainage systems. Floor drain shall have a stainless steel deck/mounting flange and coated ductile iron body with no-hub connection. Floor drain shall allow adjustment of 3/4" above deck flange. Strainer shall meet applicable load requirements for intended use. Trap primer port shall be threaded 1/2" FIP for optional connection. Designed in accordance with ASME A112.6.3.

## MATERIALS

**Ring/strainer:** Nickel-bronze, 304 Stainless steel

**Head adapter:** ductile iron

**Deck flange:** 19-gauge 430 Stainless steel

**Base adapter:** ductile iron

## STRAINER LOAD RATING

**Nickel-Bronze** (heel-resistant): 1,650 lbs. (light duty)

**Stainless Steel** (heel-resistant): 2,000 lbs. (light duty)

## STRAINER FREE AREA - FLOW RATE

**Round:** 8.5 in<sup>2</sup> – 19 GPM<sup>1</sup>

**Square:** 12.75 in<sup>2</sup> – 21 GPM<sup>1</sup>

## DIMENSIONS

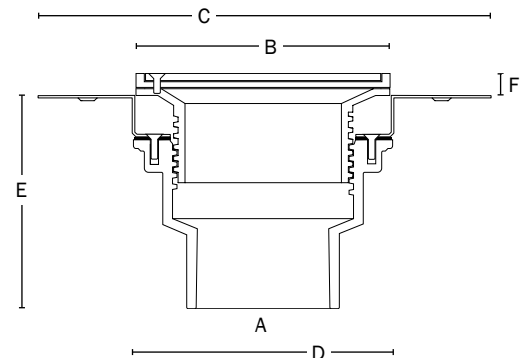
<b>A:</b> Connection size	2", 3"
<b>B:</b> Ring/strainer diameter	
Round   Square	5-1/2"   5-7/8"
<b>C:</b> Flange diameter	9-1/2"
<b>D:</b> Base diameter	5-7/8"
<b>E:</b> Base height	4-3/8"
<b>F:</b> Adjustable finish height <sup>2</sup>	
Round   Square	0" – 3/4"   5/16" – 3/4"

<sup>1</sup> Observed flow rate through strainer, under test conditions, at 0.625" head  
<sup>2</sup> When using optional clamping collar, min dimension is 1/2"

ITEM # SUBMITTED	_____
JOB NAME	_____
LOCATION	_____
ENGINEER	_____
CONTRACTOR	_____
PO#	_____ TAG _____



822-3DSQ



## Create Item Number

### 822-ABCD

e.g. **822-3DNRV:** Halo adjustable floor drain - 3" No-Hub connection and round, vandal-resistant nickel-bronze ring/strainer

#### CLAMPING COLLAR A

(no clamping collar is standard)

**M** = Clamping collar kit<sup>3</sup>

#### CONNECTION B

**2D** = 2" No-Hub

**3D** = 3" No-hub

#### RING/STRAINER TYPE C

**NR** = Round Nickel-bronze

**SR** = Round Stainless steel

**NQ** = Square Nickel-bronze

**SQ** = Square Stainless steel

#### OPTIONS D

**V** = Vandal-resistant strainer screws

**B** = Complies with Buy American Act<sup>4</sup>

**E** = 1-1/4" Extended strainer rim<sup>4</sup>

#### Accessories - Available Separately:

822-EX3: Iron extension adapter<sup>5</sup>

835-2: TrapShield™ for 2" drain outlet

835-3: TrapShield™ for 3" drain outlet

835-35: TrapShield™ for Halo head adapter

863-FA: Round aluminum condensate funnel

863-FN: Round nik-brz condensate funnel

<sup>3</sup> Clamping collar is 19-gauge 430 stainless steel | <sup>4</sup> Available for round nickel-bronze ring/strainers only | <sup>5</sup> Extends head 1-3/4" (min) to 3-3/8" (max) above deck flange