

ON-GRADE ADJUSTABLE FLOOR DRAIN

» 832 SERIES

FinishLine™

SPECIFICATION

Sioux Chief 832 series FinishLine adjustable floor drain shall be used where necessary in drainage systems. Floor drain shall allow adjustment of 1¼" before the concrete pour, and 1¼" after the concrete pour. Floor drain shall have a cast iron no-hub or push-joint connection adapter. Strainer shall meet applicable load requirements for intended use. Trap primer port shall be threaded ½" FIP for optional connection. Designed in accordance with ASME A112.6.3-2001.

MATERIALS

ring/strainer: nickel-bronze, 301 stainless steel, ductile iron
 head adapter/coring sleeve/base adapter: ductile iron
 coring plug: high-impact polymer

STRAINER LOAD RATING

nickel-bronze - heel proof: 1,000 lbs. (light duty)
 stainless steel - heel proof: 1,000 lbs. (light duty) or 3,000 lbs. (medium duty)
 ductile iron: 6,000 lbs. (heavy duty)

STRAINER FREE AREA

round nickel-bronze/stainless steel:	11.75 in ²
square nickel-bronze/stainless steel:	16.4 in ²
ductile iron:	13.25 in ²

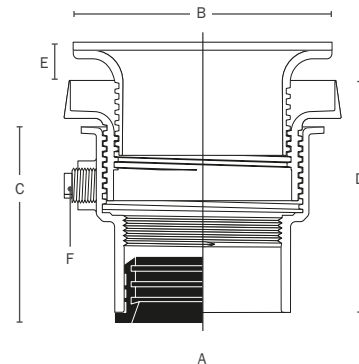
DIMENSIONS

A: Connection size	3" or 4"
B: Ring/strainer diameter	6½" (round) 7" (square)
C: Adapter height	
No-Hub	4½"
Push-Joint	4⅞"
D: Pre-pour adjustment	
No-Hub	5⅜" - 6⅝"
Push-Joint	5¾" - 7"
E: Post-pour adjustment	
round strainer	0" - 1¼"
square strainer	⅝" - 1¼"
F: Trap primer port	½" FIP thread, plugged

ITEM # SUBMITTED	_____
JOB NAME	_____
LOCATION	_____
ENGINEER	_____
CONTRACTOR	_____
PO#	_____ TAG _____



832-24DNQ



see catalog for listed models

Create Item Number

832-ABC

e.g. **832-24DNQ**: FinishLine floor drain with square nickel-bronze strainer, and 3" No-Hub connection

A CONNECTION

- 3D 3" No-Hub
- 63D 3" Push-Joint
- 4D 4" No-Hub
- 64D 4" Push-Joint

B RING & STRAINER

- iR Ductile iron, round
- NR Nickel-bronze, round
- NQ Nickel-bronze, square
- SR Stainless steel, round
- SQ Stainless steel, square

C OPTIONS (INSTALLED)

- V Vandal-resistant strainer screws
- H Hinged strainer¹
- E 1⅜" extended strainer rim²
- B Buy American Act compliant²
- M Medium-duty strainer³
- P Push-Joint gasket for Sch. 40⁴

ACCESSORIES

- 832-UM Debris screen
- 832-S4 Large shim kit
- 832-EX4 Extension nipple⁵
- 832-W Locating bristle kit
- 863-FA Aluminum condensate funnel
- 863-FN Nik-brz condensate funnel
- 863-FNO Oval nik-brz condensate funnel

1 Available for nickel-bronze or standard stainless steel only
 2 Available for round, nickel-bronze strainers only
 3 For round, stainless strainer only - 3,000 lb. safe load
 4 In place of standard gasket
 5 Extends heads 2" (min) to 4" (max) above coring sleeve