

3/4" HOSE OUTLET ACCESS BOX

» 696 SERIES

OxBox™

ITEM # SUBMITTED	_____
JOB NAME	_____
LOCATION	_____
ENGINEER	_____
CONTRACTOR	_____
PO#	_____ TAG _____

SPECIFICATION

Sioux Chief OxBox access box with single outlet valve shall be used in plumbing systems for safe distribution of hot or cold water. Boxes shall provide access for supply line shutoff. Boxes shall generally be available with 3/4" hose connection outlet. Boxes can be installed with valves from above or below on or between studs. Between-stud installation shall utilize the provided galvanized support bracket. Boxes shall be available with plain valves or valves and water hammer arresters. Arresters shall be certified to ASSE 1010 and shall be UPC listed. Valves comply with ASME A112.18.1.

MATERIALS

- Outlet Box:** appliance white ABS plastic
- Frame:** ABS plastic
- Bracket:** galvanized steel, extendable
- Arrester body:** stainless steel
- Piston:** polypropylene with two EPDM o-rings
- Piston lubrication:** Dow-Corning, 111 FDA approved silicone compound
- Valve:** chrome-plated forged brass & chrome-plated machined brass shank



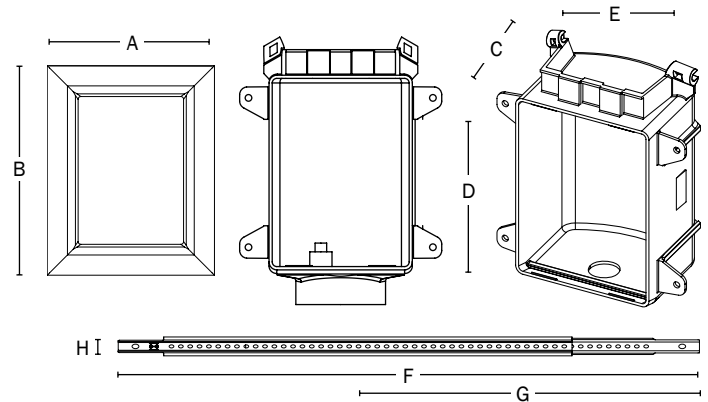
696-1313MF

VALVE/ARRESTER WORKING LIMITS

- Max working temperature:** 250°F
- Max testing air pressure:** 100 PSIG
- Max working/testing pressure:** 250 PSIG

DIMENSIONS

A: frame width	1.625"
B: frame height	0.2075 in ²
C: rough-in box depth	2.375"
D: rough-in box height	3.125"
E: rough-in box width	6.5"
F: bracket length expanded	1"
G: bracket length compact	1.81"
H: bracket width	0.952 in ²



Create Item Number

696-13A3BF

e.g. 696-1303MF: single 3/4" outlet connection OxBox with drain box, female sweat valve, packaged with frame and bracket

ARRESTER OPTION A

- 0 = packed with standard valves
- 1 = packed with arrester valve options

INLET TYPE B

- M = female sweat
- C = 1/2" male CPVC
- X = 1/2" PEX F1807 Crimp
- W = 1/2" PEX F1960 Grip
- P = 1/2" press-fitting (male type L copper)