

# COMPACT WASHING MACHINE OUTLET BOX

▶▶ 696 SERIES

OxBox ONE™

## SPECIFICATION

Sioux Chief 696 series OxBox™ outlet box shall be used where necessary in plumbing systems. Unit shall allow for mounting on-stud or between studs, and include plated, 1/4-turn valves with 3/4" MHT outlets. Valve outlets shall be provided with tamper-resistant test caps. Valve handles on arrester models can be operated together (single throw) or independently. Metal support bracket can be installed into tracks of box. Drain box shall have a testable 5/8" nipple on drain cover. Designed in accordance with IAPMO PS 54-2021a.

## MATERIALS

**Valve body:** Forged brass<sup>1,2</sup>

**Valve shank:** Brass<sup>1,2</sup> or CPVC with 304SS grip ring, brass nut, silicone seal

**Box/Frame:** ABS

**Arrester body:** 304SS barrel with brass<sup>1</sup> body

**Arrester piston:** Polypropylene with EPDM o-rings

**Bracket:** Galvanized steel

## CERTIFICATIONS/APPROVALS

NSF-372 compliant<sup>1</sup>, IAPMO listed box and valves, Arresters meet ASSE 1010, Valves meet ASME A112.18.1

## VALVE/ARRESTER WORKING LIMITS

**Max Working Temperature:** 200° F

**Max Testing/Working Pressure:** 150 PSIG

## DIMENSIONS

|                            |                       |
|----------------------------|-----------------------|
| <b>A:</b> Frame width      | 5-7/8"                |
| <b>B:</b> Frame height     | 7-1/4"                |
| <b>C:</b> Box width        | 4"                    |
| <b>D:</b> Box height       | 5-1/2"                |
| <b>E:</b> Box depth        | 3-1/2"                |
| <b>F:</b> Supply inlet     | 1/2" Nom. 2" O.C.     |
| <b>G:</b> Supply outlet    | 3/4" Male hose thread |
| <b>H:</b> Drain connection | 2" Sch. 40 hub        |
| <b>I:</b> Test nipple      | 5/8" O.D.             |
| Bracket length             | 17"                   |

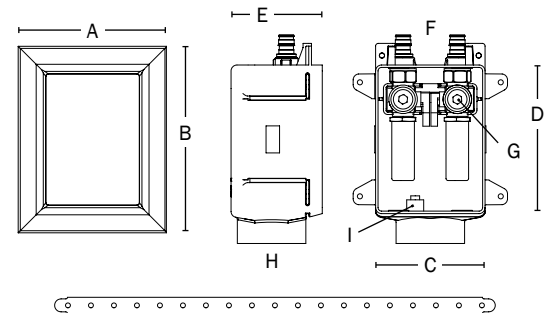
|                  |                 |
|------------------|-----------------|
| ITEM # SUBMITTED | _____           |
| JOB NAME         | _____           |
| LOCATION         | _____           |
| ENGINEER         | _____           |
| CONTRACTOR       | _____           |
| PO#              | _____ TAG _____ |



696-2413WF



696-G2403WF



### Create Item Number

**696A B C D**

e.g. **696-G2403XF**: Compact washing machine outlet box with frame; no-lead valves, F1807 connection

#### VALVE MATERIAL **A**

-- = Standard brass<sup>2</sup>

**G** = No-lead brass<sup>1</sup>

#### ARRESTERS **B**

**2403** = No arresters

**2413** = With arresters

#### SUPPLY CONNECTION **C**

**CF** = CPVC (male)

**MF** = MIP/FSWT

**VF** = F3347 PEX

**WF** = F1960 PEX

**XF** = F1807 PEX

#### Accessories - Available Separately:

696-1F: Single-box frame

696-EX: Frame extension (fits single box)



<sup>1</sup> C69300 material is DZR and SCC resistant, compliant with NSF-61 & 372, and compliant with California No Lead Plumbing Law | <sup>2</sup> C37700 and C36000 material