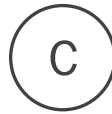
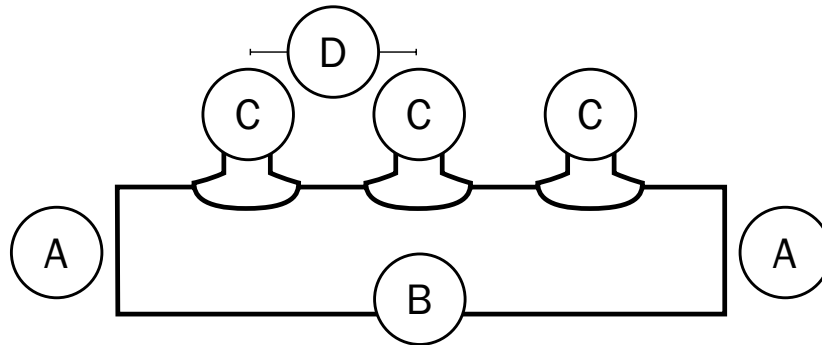


# BranchMaster™

Special Order Copper Manifolds



**TRUNK ENDS**

- Spun Closed
- F1807 PEX Crimp
- F1960 PEX Expansion
- CPVC
- Male Sweat
- Female Sweat
- Full Port Ball Valve

**TRUNK**

- 1" Type L Copper
  - 1¼" Type L Copper
  - 1½" Type L Copper
  - 2" Type L Copper
- All sizes are nominal CTS

**BRANCHES**

- F1807 PEX Crimp
- F1960 PEX Expansion
- Male Sweat
- MIP / FIP
- Ball Valve

**BRANCH ON-CENTER INTERVALS**

- 1½"
- 2" (standard)
- 2½"
- ... Every half-inch after

**A TRUNK END 1** \_\_\_\_\_ **A TRUNK END 2** \_\_\_\_\_

**B TRUNK SIZE** \_\_\_\_\_

Note: 1" L Trunk will be used for manifolds with ¾" trunk ends

**C BRANCH TYPE** \_\_\_\_\_

**NUMBER OF BRANCHES** \_\_\_\_\_

**BALL VALVES ON BRANCHES?**      Yes      No

**D BRANCH ON-CENTER INTERVALS** \_\_\_\_\_

**QUANTITY OF MANIFOLDS NEEDED (MINIMUM QUANTITY: 25)** \_\_\_\_\_

**BRIEF DESCRIPTION OF APPLICATION** \_\_\_\_\_

\_\_\_\_\_

Name \_\_\_\_\_

Company \_\_\_\_\_

Phone \_\_\_\_\_

Email \_\_\_\_\_

Email to Sioux Chief: customer.service@siouxchief.com

List price and custom lead time will be determined after receipt of your request for quotation.

BRANCHMASTER SPECIAL ORDER 12/19

www.siouxchief.com

TAKE THE FIELD.



Supply | Drainage | Support | Specialties