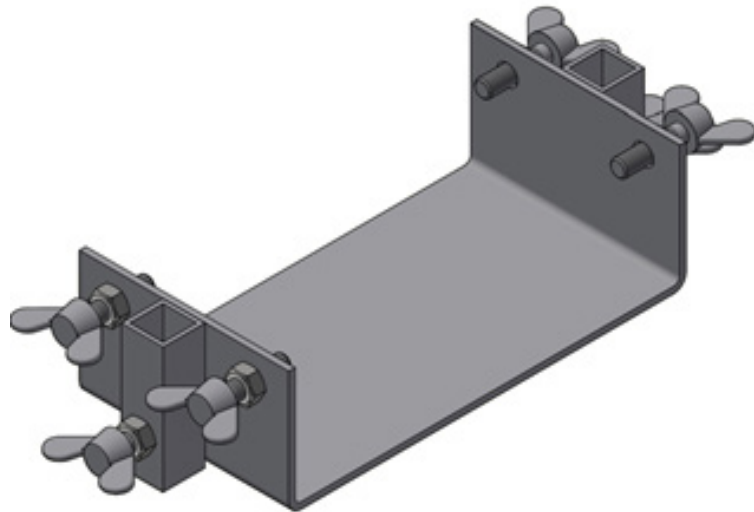


# Installation Bracket for Trench Drains



## Strong

Heavy-duty, 11-gauge steel U-channel can be used anywhere along a channel run – including under joints

## Simple

Works with all HydroTec Maxi and Top 100 channels  
Easy-turn, galvanized screws hold channels in place and provide some lateral adjustment where needed

## Adjustable

Side sockets accept 1/2" re-bar (not included) and allow bracket to adjust to correct height before locking in place with screws



## » Buying Information

ITEM NO.	DESCRIPTION	PKG	MIN. QTY.	CASE QTY.
<b>RE-BAR BRACKET FOR MAXI/TOP 100</b>				
865-4BK	Steel Installation Bracket for Maxi/Top 100 channels	B	1	1