

DeckAnchor™

Fixture Mounting & Connection Fitting



Solid

Anchors drainage fixtures in place on slab forms during rough-in

Mount the DeckAnchor™ to the form with nails and attach drainage fixture with No-Hub coupling

Rugged, one-piece ductile iron construction

Convenient

Provides easy access to integral connection when wood deck forms are removed

Cut riser to length, or extend with pipe for thicker slabs



Supply

Drainage

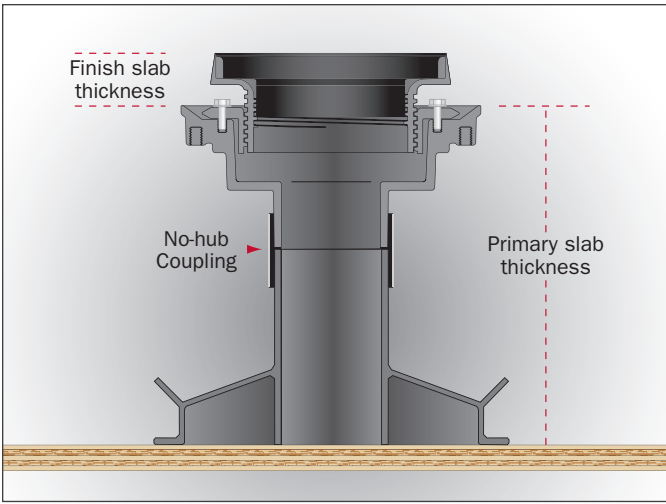
Support

Specialties

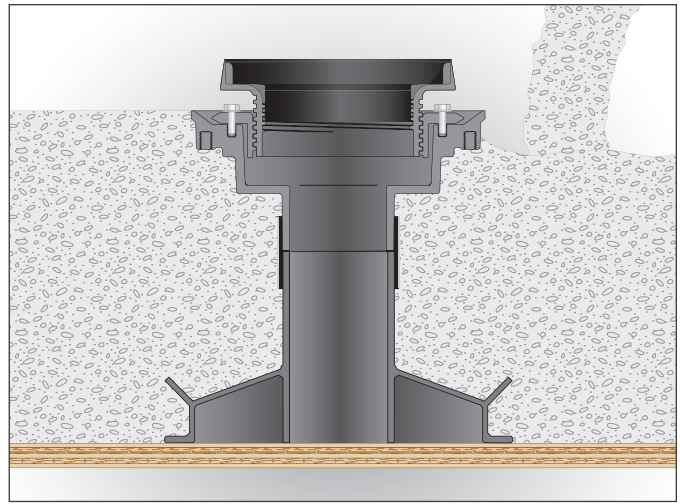
www.siouxchief.com

TAKE THE FIELD.

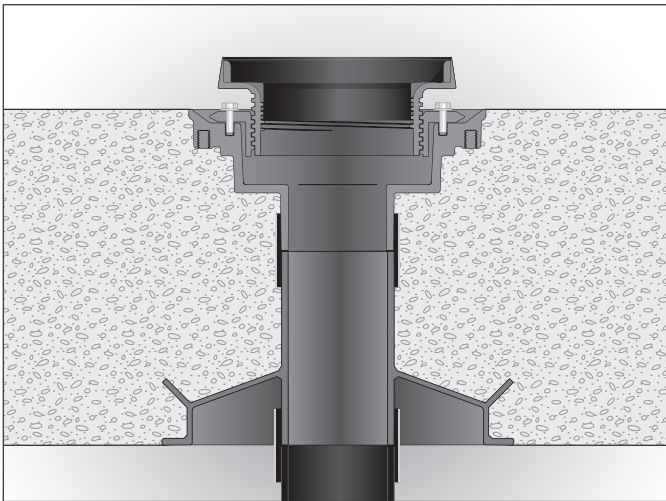




Consider the thickness of the slab pour and cut the extension portion to length. Attach drainage fixture to upper connection with no-hub coupling.

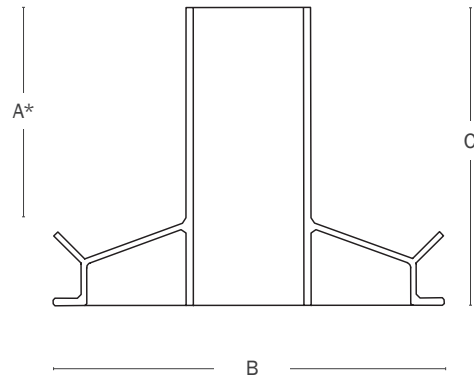


Mount the DeckAnchor™ to the form with nails or screws. Pour and finish slab to desired level.



After slab has cured and the deck form is removed, connect drain pipe to DeckAnchor™ with no-hub coupling.

Dimensions



* Fitting extension can be cut to length per application, or extended using pipe/coupling.



836-2



836-3



836-4

Buying Information

ITEM NO.	DESCRIPTION	A	B	C	MIN. QTY.	CASE QTY.
836-2	DeckAnchor™ - 2" No-Hub connection - ductile iron	5-5/8"	10-1/2"	8"	1	1
836-3	DeckAnchor™ - 3" No-Hub connection - ductile iron	5-5/8"	10-1/2"	8"	1	1
836-4	DeckAnchor™ - 4" No-Hub connection - ductile iron	5-5/8"	10-1/2"	8"	1	1
836-6	DeckAnchor™ - 6" No-Hub connection - ductile iron	5-3/4"	12-1/2"	8"	1	1