

# SHOWER ARM ADAPTER

616 SERIES

Shower WallNut™

## SPECIFICATION

Sioux Chief's Shower Arm Adapter WallNut shall be installed at shower riser. Riser shall be 1/2" nominal Type L Sioux Chief stub out ell that is supported by Sioux Chief StrongArm Bracket with WallNut LockBlock tube clamping device. No substitutions otherwise Limited Lifetime Warranty is void. Shower Arm Adapter shall be UPC listed. Shower WallNut System allows stub out connection outside the finished wall eliminating hidden leaks at the riser which promote mold growth. Use with brass shower arms only. Do not use thread sealant or Teflon tape on WallNut end of shower arm.

## MATERIALS

- WallNut shower arm adapter:** 40% glass-filled nylon
- Lock ring:** 301 stainless steel
- O-ring:** Buna-N
- Escutcheon:** plated brass (see options below)

## INSTALLATION

Brace copper stub out ell using StrongArm Bracket with Shower WallNut LockBlock at rough in stage. After finished wall has been installed, sand the entire stub out surface back to the finished wall. Cut off the stub out leaving exactly 1 1/2" stubbed out from the wall. Push Shower WallNut over stub out and against wall. Insert nose of slip-lock pliers into stub out opening and hold tube firmly. Swing shower arm tool or second pair of slip-lock pliers levering off first pair to cinch WallNut adapter firmly against the finished wall. Do NOT use thread sealant or Teflon tape on Shower WallNut end of shower arm. Use brass shower arms only. Hold hex then thread shower arm completely and tightly into FIP threads. Using pliers on hex of WallNut adapter rotate shower arm to final 6-o'clock position. To prevent rotation after shower arm is installed, insert provided screws through molded holes in flange. Firmly push deep escutcheon onto Shower WallNut until it snaps and locks into place.

## IMPORTANT WARRANTY NOTE

Sioux Chief's Limited Lifetime Warranty is only applicable when Sioux Chief components (a) Stub Out Ell (b) StrongArm Bracket with WallNut LockBlock and (c) Shower WallNut Shower Arm Adapter are used and installed according to manufacturer's installation guidelines. Substitute components voids warranty.

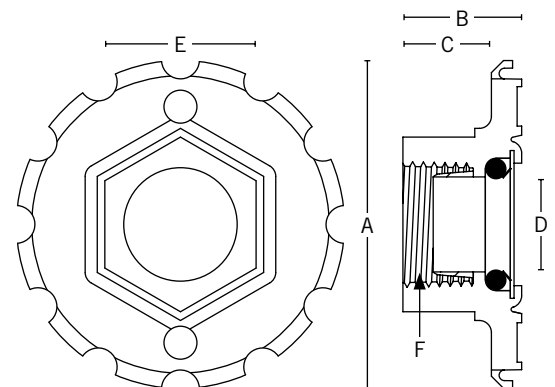
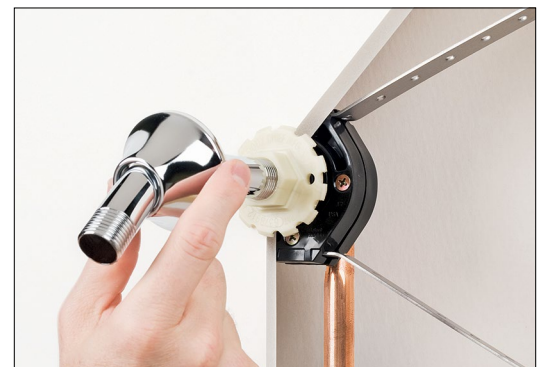
## SAFE WORKING TEMPERATURE

140°F

## DIMENSIONS

- A: diameter 2.175"
- B: height 0.775"
- C: height of nose 0.589"
- D: I.D. of ferrule 0.623"
- E: wrench flats 1"
- F: FIP threads 1/2"

ITEM # SUBMITTED	_____
JOB NAME	_____
LOCATION	_____
ENGINEER	_____
CONTRACTOR	_____
PO#	_____ TAG _____



## Create Item Number

### 616-02A

e.g. **616-02RB:** Shower WallNut, escutcheon with oil-rubbed bronze finish

#### ESCUTCHEON FINISH A

- C** = chrome
- P** = polished brass
- W** = white enamel
- RB** = oil-rubbed bronze
- SN** = satin nickel