

BATH DRAIN - HALF KIT

➤➤ 973 SERIES

Twist 'N Close™

SPECIFICATION

Sioux Chief 973 Series Twist 'N Close half kit bath drains shall be installed where necessary to provide accessible and replaceable tube and fittings to convey waste from bathtub fixtures to the drainage system. Kits shall include overflow elbow, drain elbow, drain spud with course (11.5 tpi) threads, stopper mechanism, faceplate, optional test kit, and all trim components. Designed in accordance with ASME A112.18.2.

MATERIALS

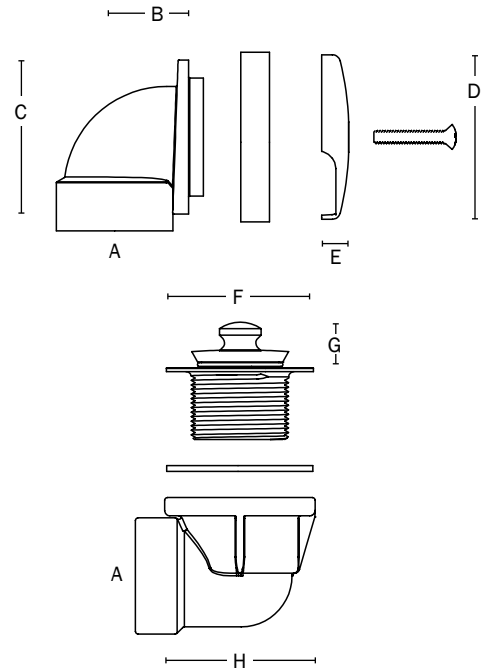
Fittings: ABS, PVC

Trim: Chrome-plated brass, chrome-plated zinc

DIMENSIONS

A: Connection size	1-1/2" Sch. 40
B: Overflow elbow depth	1-5/8"
C: Overflow elbow face dia.	3"
D: Faceplate dia.	3-1/8"
E: Faceplate depth	1/2"
F: Drain spud flange dia.	2-3/4"
G: Stopper height	1"
H: Drain elbow flange dia.	2-7/8"

ITEM # SUBMITTED	_____
JOB NAME	_____
LOCATION	_____
ENGINEER	_____
CONTRACTOR	_____
PO#	_____ TAG _____



Create Item Number

973-A

e.g. **973-5201C01:** PVC Twist 'N Close™ bath drain half kit with 1-hole faceplate

FITTING / FACEPLATE A

5201C01 = PVC hub connection, 1-hole faceplate

5204C04 = PVC hub connection, 1-hole faceplate with test kit

5202C04 = PVC hub connection, 2-hole faceplate

7201C01 = ABS hub connection, 1-hole faceplate



Test kit rated for 10 PSI