

# STRUT CLAMP

## 517 SERIES

### SPECIFICATION

Sioux Chief 517 series strut clamp shall be used where necessary to fasten or secure CTS tubing and IPS piping in residential or commercial applications. Complies with MSS SP58 - Type 59 Trapeze Hanger.

### INSTALLATION

Install clamp in strut channel around tube or pipe and tighten nut and bolt.

### MAXIMUM LOAD RATING

517-C: Copper Zinc Dichromate meets ASTM B633 SC3 Type I

517-G: Zinc Electroplate meets ASTM B633 SC3 Type I

### CLAMP SIZES & LOAD RATINGS

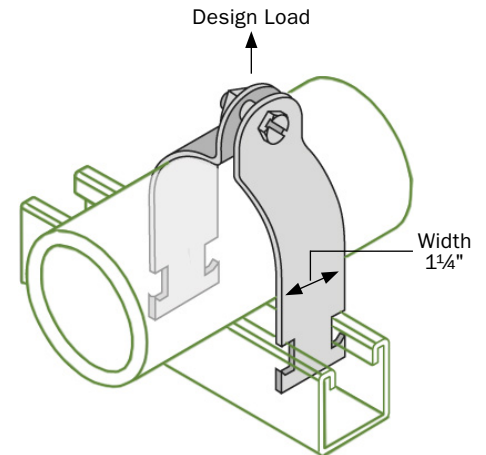
Item No.	Size (CTS)	O.D.	Width	Bolt Size	Ga.	Design Load (lbs)
517-C02	1/2"	0.625	1 1/4"	1/4"	16	400
517-C03	3/4"	0.875	1 1/4"	1/4"	16	400
517-C04	1"	1.125	1 1/4"	1/4"	14	600
517-C05	1 1/4"	1.375	1 1/4"	1/4"	14	600
517-C06	1 1/2"	1.625	1 1/4"	1/4"	14	600
517-C07	2"	2.125	1 1/4"	5/16"	12	800
517-C08	2 1/2"	2.625	1 1/4"	5/16"	12	800
517-C09	3"	3.125	1 1/4"	5/16"	12	800
517-C10	4"	4.125	1 1/4"	3/8"	11	1000

Item No.	Size (CTS)	O.D.	Width	Bolt Size	Ga.	Design Load (lbs)
517-G02	1/2"	0.840	1 1/4"	1/4"	16	400
517-G03	3/4"	1.050	1 1/4"	1/4"	14	600
517-G04	1"	1.315	1 1/4"	1/4"	14	600
517-G05	1 1/4"	1.660	1 1/4"	1/4"	14	600
517-G06	1 1/2"	1.900	1 1/4"	5/16"	12	800
517-G07	2"	2.375	1 1/4"	5/16"	12	800
517-G08	2 1/2"	2.875	1 1/4"	5/16"	12	800
517-G09	3"	3.500	1 1/4"	5/16"	12	800
517-G10	4"	4.500	1 1/4"	3/8"	11	1000

ITEM # SUBMITTED	_____
JOB NAME	_____
LOCATION	_____
ENGINEER	_____
CONTRACTOR	_____
PO#	_____ TAG _____



517-G09



### Create Item Number

## 521-AB

e.g. **517-C03**: 3/4" Copper tubing strut clamp

#### MATERIAL FINISH A

**C** = Copper Zinc Dichromate

**G** = Zinc Electroplate

#### TUBE/PIPE SIZE B

**02** = 1/2"

**03** = 3/4"

**04** = 1"

**05** = 1 1/4"

**06** = 1 1/2"

**07** = 2"

**08** = 2 1/2"

**09** = 3"

**10** = 4"