

E84 UNIVERSAL PIPE CLAMP

550F20

PlenumSafe™

SPECIFICATION

Sioux Chief 550F20, PlenumSafe™ TouchDown II™ Universal Pipe Clamp shall be used where necessary to secure any pipe, conduit or wire ranging from ½" CTS to 2" IPS in commercial plenums to conform to ASTM E84 when specified. Variable clamping tension shall allow for thermal expansion and contraction. Clamp shall provide ¼" standoff from building member. Clamp shall be compatible with copper, PEX and CPVC. Clamp shall be IAPMO certified.

INSTALLATION

Secure clamp base to structure with screws (provided). Lay pipe in base of clamp. Install clamp's top bridge over vertical posts and ratchet down to secure pipe. When applicable, 550F20 clamp may be secured to Sioux Chief's PowerBar™ bracket by first attaching bracket to structure. 550F20 clamp may also be attached to suspended PowerBar MiniStrut™ galvanized brackets. Inverted installations, where the 550F20 clamp is mounted and bridge is on the bottom of pipe is not recommended.

MATERIALS

Polyvinylidene fluoride (PVDF), meets ASTM E84 25/50 and UL94 V-0

Screw: #6 × 1" zinc-plated, bugle head, drill point

WORKING TEMPERATURE

-10°F – 140°F

SAFE WORKING LOAD

-10°F – 100°F	50 lbs.
101°F – 120°F	35 lbs.
121°F – 140°F	25 lbs.

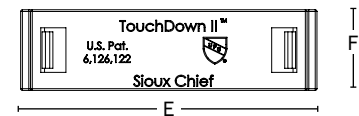
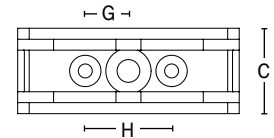
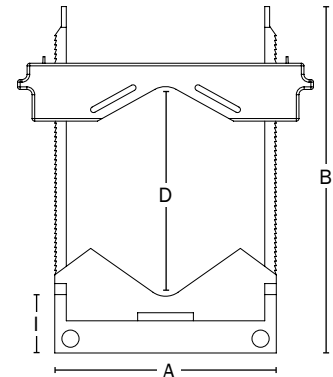
DIMENSIONS

A: Clamp width	2.55"
B: Clamp height	4"
C: Clamp depth	0.98"
D: Clamp range	0.625" – 2.375"
E: Bridge width	3.41"
F: Bridge depth	0.97"
G: Centerline dimension	0.5"
H: Centerline dimension	1"
I: Offset distance	0.25"

ITEM # SUBMITTED	_____
JOB NAME	_____
LOCATION	_____
ENGINEER	_____
CONTRACTOR	_____
PO#	_____ TAG _____



550F20




Made in USA

550F20

e.g. 550F20: PlenumSafe™ Universal Pipe Clamp