

# CTS FULL CLAMP - ACOUSTICAL

## 551 SERIES

PadLock™

### SPECIFICATION

Sioux Chief 551 series PadLock™ CTS full tube clamp with PipeDown™ noise-absorbing material shall be used where necessary to secure 1/2" through 1-1/4" CTS supply lines. Clamp shall be approved for use in residential or commercial applications with acoustical requirements. Clamp shall be corrosion proof and UV resistant with an angled base for easier installations in tight spaces. Clamp shall be impact resistant to 0°F, and be able to withstand continuous temperatures up to 160°F. Clamp shall be designed to prevent tube damage if screw is over-driven. Clamp shall be compatible with copper, PEX or CPVC tube and IAPMO certified.

### INSTALLATION

PadLock™ should be installed in alternating directions (so that the screw is on alternating sides of the tube being secured) for secure installation. Install at intervals described in local plumbing code for the type of tube being secured.

### MATERIALS

**Body:** Polypropylene

**Noise-Absorbing Material:** Low-durometer elastomer

**Screw:** Zinc-plated steel, #6 Phillips/pan head

### SAFE WORKING LOAD<sup>1</sup>

551-P2Q	551-P3Q	551-P4Q	551-P5Q
12 lbs.	16 lbs.	24 lbs.	25 lbs.

### SAFE WORKING TEMPERATURE

Impact resistant to 0° F (-18° C)

Maximum Temperature: 160° F (71° C)

### DIMENSIONS

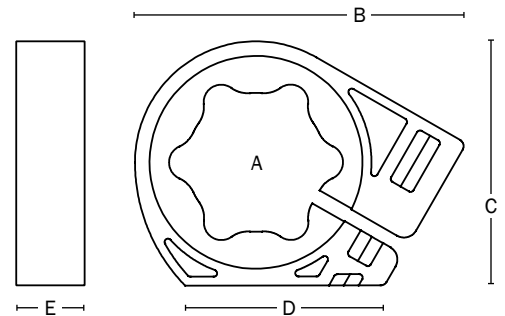
	551-P2Q	551-P3Q	551-P4Q	551-P5Q
<b>A:</b> Nom. Tube size	1/2" CTS	3/4" CTS	1" CTS	1-1/4" CTS
<b>B:</b> Overall length	1.45"	1.73"	2.13"	2.48"
<b>C:</b> Overall height	1.06"	1.34"	1.65"	1.88"
<b>D:</b> Base length	0.88"	1.10"	1.30"	1.50"
<b>E:</b> Width	0.38"	0.38"	0.50"	0.50"
Screw length	1.75"	2"	2.5"	2.5"

<sup>1</sup> Safe working load = Failure load x 0.50

ITEM # SUBMITTED	_____
JOB NAME	_____
LOCATION	_____
ENGINEER	_____
CONTRACTOR	_____
PO#	_____ TAG _____



551-P3Q



### Create Item Number

**551-A**

e.g. **551-P2Q:** PadLock full tube clamp with PipeDown noise-absorbing material for 1/2" CTS tube

#### NOMINAL SIZE A

**P2Q** = 1/2" CTS

**P3Q** = 3/4" CTS

**P4Q** = 1" CTS

**P5Q** = 1-1/4" CTS