

SHOWER PAN DRAIN

821 SERIES

SPECIFICATION

Sioux Chief 821 series shower pan drain shall be used where necessary in drainage systems. Drain shall have a cast iron flashing base adapter and clamping collar with chrome-plated head/strainer. Strainer shall meet all load and flow requirements for installations in shower areas. Flashing base adapter shall have a 2" connection. Designed in accordance with ASME A112.18.2-2005 / CSA B125.2-05.

MATERIALS

head/strainer: chrome-plated zinc
 base adapter: cast iron
 clamping collar: cast iron

STRAINER LOAD RATING

300 lbs. (light-duty, pedestrian traffic)

STRAINER FREE AREA

round pattern: 3.9 in²
 square pattern: 4.9 in²

STRAINER FLOW CAPACITY*

round pattern: 8.5 GPM
 square pattern: 10.6 GPM

DIMENSIONS

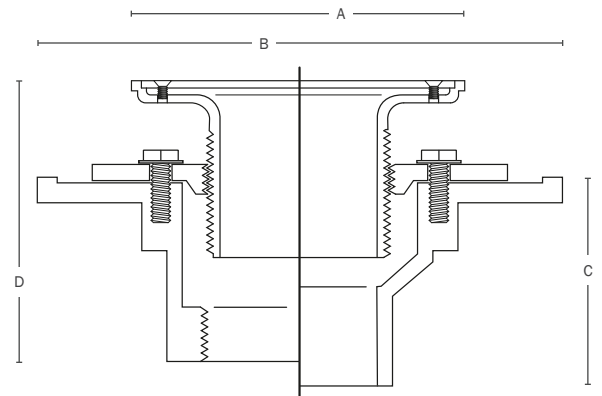
A: top diameter	4 ³ / ₁₆ "
B: flange diameter	6 ⁵ / ₈ "
C: base adapter height	
no-hub	2 ⁹ / ₁₆ "
FIP	2 ⁵ / ₁₆ "
D: overall height	
no-hub	3 ¹ / ₄ " - 2 ¹¹ / ₁₆ "
FIP	3" - 2 ⁷ / ₁₆ "

* Estimated/calculated flow rate through the strainer (not the entire drain) at ¼" head.

ITEM # SUBMITTED	_____
JOB NAME	_____
LOCATION	_____
ENGINEER	_____
CONTRACTOR	_____
PO#	_____ TAG _____



821-2iTQCP



Create Item Number

821-2i A B

e.g. **821-2iTQCP**: Cast iron shower pan drain with 2" FIP connection and square pattern, chrome-plated head/strainer

- | | |
|--|---|
| A CONNECTION | A STRAINER |
| <input type="checkbox"/> H 2" No-Hub | <input type="checkbox"/> CP round pattern |
| <input type="checkbox"/> T 2" FIP Thread | <input type="checkbox"/> QCP square pattern |