

# ADJUSTABLE FLOOR CLEANOUT WITH DECK FLANGE

» 822 SERIES

FinishLine Halo™

## SPECIFICATION

Sioux Chief 822 series adjustable floor cleanout shall be used where necessary in drainage systems. Cleanout shall have an 18 gauge stainless steel deck/mounting flange and ABS/PVC body with Sch. 40 hub connection. Cleanout shall allow adjustment of 1" after the concrete pour. Scoriated cleanout cover shall be meet applicable load requirements for intended use. Cleanout body shall include a sealing plug with raised square head to prevent escape of sewer gas. Designed in accordance with ASME A112.36.2M.

## MATERIALS

- Ring/cover:** nickel-bronze, 301 stainless steel
- Head adapter:** ABS
- Coring plug:** high-impact polymer
- Coring sleeve:** ABS
- Deck flange:** 18-gauge 430 stainless
- Sealing plug:** elastomer gasket, polypro drive screw
- Base adapter:** ABS, PVC

## COVER LOAD RATING

- Nickel-bronze:** 2,000 lbs. (light duty, pedestrian traffic)
- Stainless steel:** 2,500 lbs. (medium duty, pedestrian traffic)

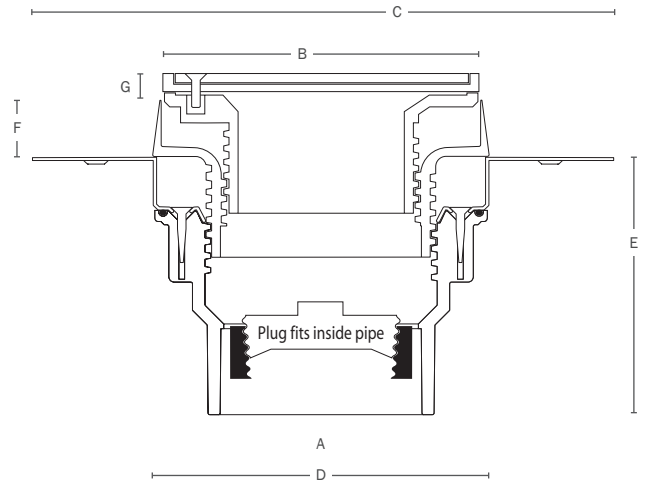
## DIMENSIONS

- |   |                   |
|---|-------------------|
| A: Connection size                            | 3" Sch. 40 hub    |
| B: Ring/cover diameter<br>round / square      | 5½" / 5⅞"         |
| C: Flange diameter                            | 9½"               |
| D: Body diameter                              | 5⅞"               |
| E: Body height                                | 4⅜"               |
| F: Sleeve height                              | 1"                |
| G: Adjustable finish height<br>round / square | 0" - 1" / ⅝" - 1" |

ITEM # SUBMITTED	_____
JOB NAME	_____
LOCATION	_____
ENGINEER	_____
CONTRACTOR	_____
PO#	_____ TAG _____



822-CF3PSR



## Create Item Number

### 822-ABC

e.g. **822-CF3PNRV:** 3" Sch. 40 hub adjustable cleanout with deck flange and round nickel-bronze ring/cover with vandal-resistant screws

#### A: CONNECTION

- CF3A** = 3" ABS Sch. 40 hub
- CF3P** = 3" PVC Sch. 40 hub

#### B: COVER TYPE

- NR** = Round nickel-bronze
- SR** = Round stainless steel
- NQ** = Square nickel-bronze
- SQ** = Square stainless steel

#### C: OPTIONS

- V** = Vandal-resistant cover screws
- S** = Stamping (specify letters)
- C** = Carpet marker

#### ACCESSORIES

- 832-S3** Leveling shim kit
- 832-W** Flexible locating bristles kit
- 832-EX3** Threaded extension adapter. Fits between head and sleeve. Extends head 2" (min) to 3¾" (max) above sleeve rim
- 822-EX3** Threaded extension adapter. Fits between sleeve and body. Extends sleeve 2" (min) to 3½" (max) above deck flange