

ADJUSTABLE ON-GRADE FLOOR DRAIN

» 832 SERIES

FinishLine™

SPECIFICATION

Sioux Chief 832 series FinishLine adjustable floor drain shall be used where necessary in drainage systems. Floor drain shall allow adjustment before and AFTER the concrete pour. Strainer shall be heel-resistant and meet applicable load requirements for intended use. Trap primer port shall be threaded 1/2" FIP for optional connection. Designed in accordance with ASME A112.6.3

MATERIALS

Ring/Strainer: Nickel-bronze, 304 stainless steel

Coring plug: High-impact polymer

Head adapter/Coring sleeve: Ductile iron

Base adapter: Ductile iron, PVC

STRAINER LOAD RATING

Nickel-bronze: 750 lbs. (Light duty)

Stainless steel: 1,500 lbs. (Light duty)

STRAINER FREE AREA

30.0 in²

DIMENSIONS

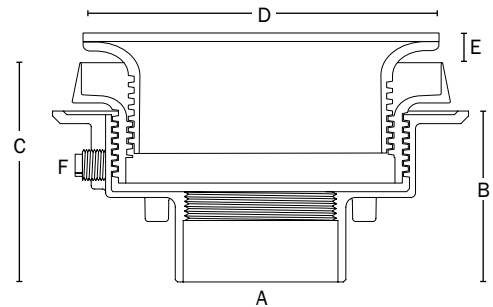
A: Connection	4"	6"
B: Base adapter height ¹	4-1/2"	5-3/8"
C: Pre-pour height ¹	5-3/8" – 6-7/8"	6-1/4" – 7-3/4"
D: Top diameter	9"	
E: After-pour adjustment	0" – 1-1/2"	
F: Trap primer port	1/2" FIP thread - plugged	

1 Add 3/4" for 4" PVC base adapter. Add 1-3/8" for 6" PVC base adapter.

ITEM # SUBMITTED	_____
JOB NAME	_____
LOCATION	_____
ENGINEER	_____
CONTRACTOR	_____
PO#	_____ TAG _____



832-49DNR



Create Item Number

832-ABC

e.g. **832-49DNR**: FinishLine floor drain with 4" No-Hub connection, nickel-bronze ring/strainer, and cast iron clamping collar

CONNECTION SIZE **A**

49D = 4" No-Hub

6D = 6" No-Hub

RING/STRAINER **B**

NR = Nickel-bronze

SR = Stainless steel

OPTIONS **C**

V = Vandal-resistant strainer screws

C = Cast iron clamping collar

P = PVC Base adapter²

Accessories - Available Separately:

832-SD9: Loose-set ductile iron special-duty grate³

832-WCQ: Flexible locating bristles kit

832-PCQ: Coring plug wrench

863-FACQ: Round aluminum condensate funnel

863-FNCQ: Round nickel-bronze condensate funnel

863-FNOCQ: Oval nickel-bronze condensate funnel

² PVC Base adapter has Sch. 40 hub connection | ³ Grate for use with FinishLine rough-in fixture. Sets into coring sleeve in place of finish fixture