

# ADJUSTABLE ON-GRADE FLOOR DRAIN

» 832 SERIES

FinishLine™

## SPECIFICATION

Sioux Chief 832 series FinishLine adjustable floor drain shall be used where necessary in drainage systems. Floor drain shall allow adjustment before and AFTER the concrete pour. Strainer shall be heel-resistant and meet applicable load requirements for intended use. Trap primer port shall be threaded 1/2" FIP for optional connection. Designed in accordance with ASME A112.6.3

## MATERIALS

**Ring/Strainer:** Nickel-bronze, 304 stainless steel

**Coring plug:** High-impact polymer

**Head adapter/Coring sleeve/Base adapter:** Ductile iron

## STRAINER LOAD RATING

**Nickel-bronze:** 750 lbs. (Light duty)

**Stainless steel:** 1,500 lbs. (Light duty)

## STRAINER FREE AREA

30.0 in<sup>2</sup>

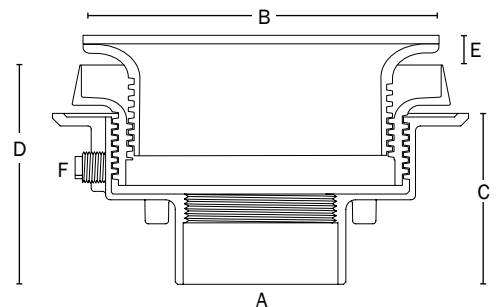
## DIMENSIONS

<b>A:</b> Connection	4" No-Hub	6" No-Hub
<b>B:</b> Top diameter	9"	
<b>C:</b> Base adapter height	4-1/2"	5-3/8"
<b>D:</b> Pre-pour height	5-3/8" – 6-7/8"	6-1/4" – 7-3/4"
<b>E:</b> After-pour adjustment	0" – 1-1/2"	
<b>E:</b> Trap primer port	1/2" FIP thread - plugged	

ITEM # SUBMITTED	_____
JOB NAME	_____
LOCATION	_____
ENGINEER	_____
CONTRACTOR	_____
PO#	_____ TAG _____



832-49DNR



## Create Item Number

### 832-ABC

e.g. **832-49DNRC:** FinishLine floor drain with 4" No-Hub connection, nickel-bronze ring/strainer, and cast iron clamping collar

#### CONNECTION SIZE **A**

**49D** = 4" No-Hub

**6D** = 6" No-Hub

#### RING/STRAINER **B**

**NR** = Nickel-bronze

**SR** = Stainless steel

#### Accessories - Available Separately:

832-SD9: Loose-set ductile iron special-duty grate<sup>1</sup>

832-WCQ: Flexible locating bristles kit

832-PCQ: Coring plug wrench

863-FACQ: Round aluminum condensate funnel

863-FNCQ: Round nickel-bronze condensate funnel

863-FNOCQ: Oval nickel-bronze condensate funnel

#### OPTIONS **C**

**V** = Vandal-resistant strainer screws

**C** = Cast iron clamping collar

<sup>1</sup> Grate for use with FinishLine rough-in fixture. Sets into coring sleeve in place of finish fixture