

ADJUSTABLE ON-GRADE FLOOR DRAIN

» 832 SERIES

FinishLine™

ITEM # SUBMITTED	_____
JOB NAME	_____
LOCATION	_____
ENGINEER	_____
CONTRACTOR	_____
PO#	_____ TAG _____

SPECIFICATION

Sioux Chief 832 series FinishLine adjustable floor drain shall be used where necessary in drainage systems. Floor drain shall allow adjustment before and AFTER the concrete pour. Strainer shall meet applicable load requirements for intended use. Trap primer port shall be threaded 1/2" FIP for optional connection. Designed in accordance with ASME A112.6.3.

MATERIALS

Ring/strainer: 304 stainless steel
Coring Plug: high-impact polymer
Head Adapter/Coring Sleeve/Base Adapter: 304 stainless steel

STRAINER LOAD RATING

304 Stainless Steel: 1,000 lbs. (Light duty, heel-proof)
Reinforced 304 stainless steel (M): 3,000 lbs. (Medium duty, heel-proof)

STRAINER FREE AREA

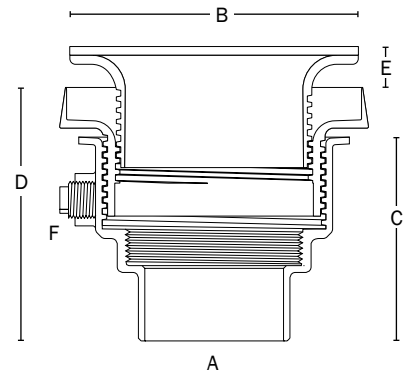
Round: 13.4 in²
Square: 16.4 in²

DIMENSIONS

A: Connection	3", 4" No-Hub
B: Ring/strainer diameter	
Round	6 1/2"
Square	7"
C: Base Adapter height*	4 1/2"
D: Pre-pour height*	5 3/8" - 6 5/8"
E: After-pour height	
Round	0" - 1 1/4"
Square	5/16" - 1 1/4"
F: Trap primer port	1/2" FIP thread, plugged



832-3SSR



Create Item Number

832-ABC

e.g. **832-3SSRV:** FinishLine floor drain with 3" No-Hub connection and vandal-resistant, stainless strainer

CONNECTION A

- 3S** = 3" No-Hub
- 4S** = 4" No-Hub

RING/STRAINER B

- SR** = Round stainless steel
- SQ** = Square stainless steel

INSTALLED OPTIONS C

- V** = Vandal-resistant strainer screws
- H** = Hinged strainer (750 lbs. safe load)
- M** = Reinforced stainless steel strainer¹

¹ Available for round strainers only

Available Separately:

- 832-S4CQ:** Leveling shim kit
- 832-WCQ:** Flexible locating bristle kit
- 832-UMCQ:** Stainless mesh debris basket
- 863-FACQ:** Round aluminum condensate funnel
- 863-FNCQ:** Round Nik-Brz condensate funnel
- 863-FNOCQ:** Oval Nik-Brz condensate funnel