

# ADJUSTABLE ROUGH-IN FIXTURE AND DUCTILE IRON GRATE

» 832 SERIES

FinishLine™

## SPECIFICATION

Sioux Chief 832 series FinishLine adjustable floor drain rough-in fixture and ductile iron grate shall be used where necessary in drainage systems. Fixture shall allow adjustment before the concrete pour and incorporate a removable plug for replacement with 832-SD9 grate. Heel-resistant grate shall incorporate tapped lugs for optional leveling adjustment and meet all applicable load requirements for intended use. Trap primer port in drain body shall be threaded 1/2" FIP and plugged for optional connection. Designed in accordance with ASME A112.6.3

## MATERIALS

**Coring plug:** High-impact polymer

**Grate / Coring sleeve / Base adapter:** Ductile iron

## GRATE LOAD RATING

15,000 lbs. (Special-duty)

## FREE AREA

21.9 in<sup>2</sup>

## DIMENSIONS

<b>A:</b> Connection	4" No-Hub	6" No-Hub
<b>B:</b> Top diameter	9.25"	
<b>C:</b> Base adapter height	4-1/2"	5-3/8"
<b>D:</b> Overall height	5-3/8" – 6-7/8"	6-1/4" – 7-3/4"
<b>E:</b> Trap primer port	1/2" FIP thread - plugged	

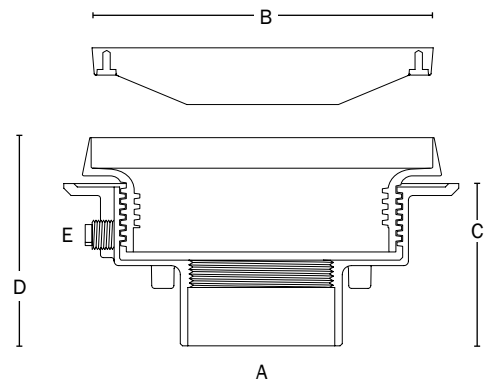
ITEM # SUBMITTED	_____
JOB NAME	_____
LOCATION	_____
ENGINEER	_____
CONTRACTOR	_____
PO#	_____ TAG _____



832-SD9



832-49DF



## Item Numbers

### DRAIN BODY WITH CORING PLUG:

**832-49DF** = 4" No-Hub

**832-49DFC** = 4" No-Hub with clamping collar

**832-6DF** = 6" No-Hub

**832-6DFC** = 6" No-Hub with clamping collar

### GRATE:

**832-SD9** = Ductile iron grate

### Accessories - Available Separately:

832-WCQ: Flexible locating bristles kit

860-UMCQ: Stainless steel mesh debris basket