

FIXTURE MOUNTING & CONNECTION FITTING

836 SERIES

DeckAnchor™

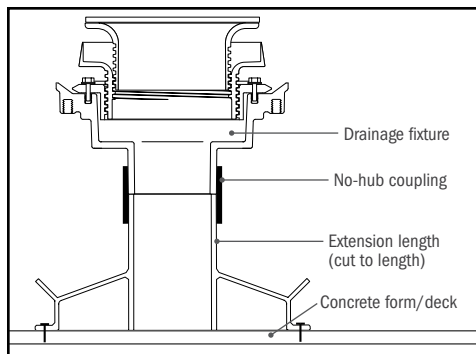
SPECIFICATION

Sioux Chief 836 series fixture mounting and connection fitting shall be used where necessary in drainage systems. Fitting shall be used to securely attach drainage fixtures to slab forms/decks prior to concrete pour. Fitting shall be made from ductile iron material with four slab-locking tabs and a wide base for increased stability. Each end of fitting provide No-Hub connection which conforms to ASTM A888. Fixture connection end can be cut to length for installation in slabs of various depths.

MATERIALS

Ductile iron

INSTALLATION



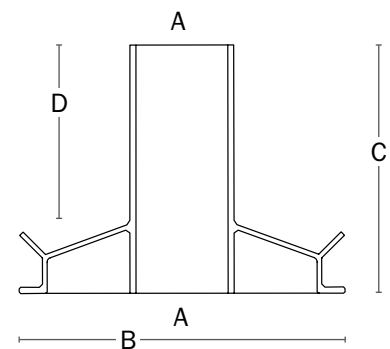
Consider depth of slab and height of drainage fixture. Cut fitting extension to length and fasten to concrete form/deck prior to slab pour. Attach drainage fixture with no-hub coupling or push-joint gasket. After slab pour and removal of form/deck, connect bottom outlet of DeckAnchor to DWV system with no-hub coupling.

DIMENSIONS

	2" No-Hub	3" No-Hub	4" No-Hub	6" No-Hub
A: Connection size	2" No-Hub	3" No-Hub	4" No-Hub	6" No-Hub
B: Base diameter	10-1/2"	10-1/2"	10-1/2"	12-1/2"
C: Overall height	8"	8"	8"	8"
D: Extension height*	5-5/8"	5-5/8"	5-5/8"	5-3/4"

* Fitting extension can be cut to length per application

ITEM # SUBMITTED	_____
JOB NAME	_____
LOCATION	_____
ENGINEER	_____
CONTRACTOR	_____
PO#	_____ TAG _____



Create Item Number

836-A

e.g. **836-3:** Ductile iron DeckAnchor fitting for 3" No-Hub connection

CONNECTION TYPE A

- 2** = 2" No-Hub connection
- 3** = 3" No-Hub connection
- 4** = 4" No-Hub connection
- 6** = 6" No-Hub connection