

# CONCEALED ARM LAVATORY CARRIER

## 837 SERIES

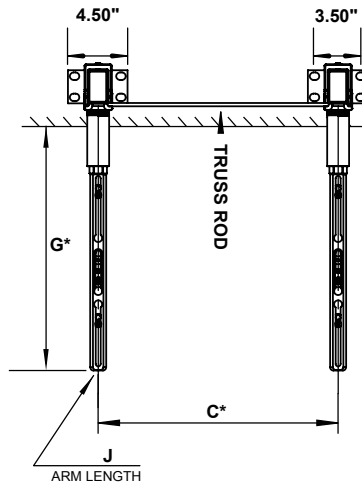
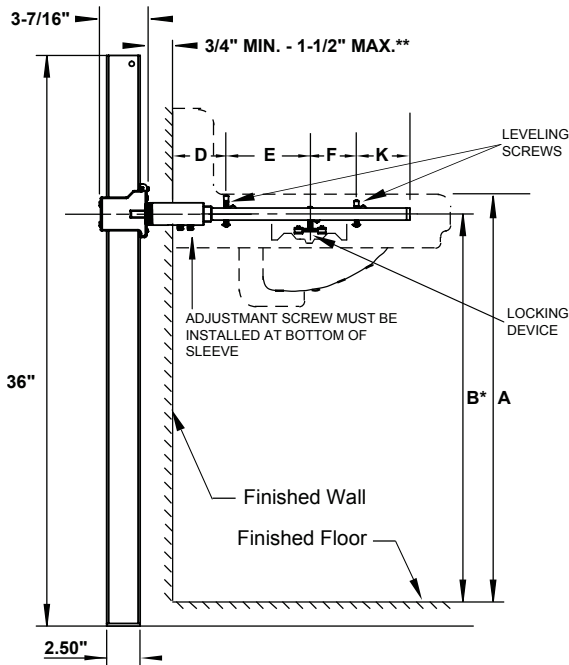
### SPECIFICATION

Sioux Chief 837 lavatory carrier complete with coated rectangular steel uprights with welded feet, cast iron adjustable header couplings, steel sleeves, concealed arms, truss rod, and mounting hardware.

Designed in accordance with ASME A112.6.1M

Used to support wall-hung fixtures where the load-bearing carrier is concealed within the wall.

ITEM # SUBMITTED	_____
JOB NAME	_____
LOCATION	_____
ENGINEER	_____
CONTRACTOR	_____
PO#	_____ TAG _____



\* Variable Dimension - depends on the fixture

\*\* Width Standard Sleeve Length of 4"

Recommend all feet to be secured to floor with 1/2" bolt and anchors

### Rough-in Dimensions

Fixture Mfg.	Fixture Name	Fixture No	Size	A	B	C	D	E	F	G	J	K
American Standard	Lucerne	0355-012	20" x 18"	31"	29-1/4"	16-3/4"	4"	6"	6"	16-1/2"	18-1/2"	1"
American Standard	Lucerne	0356-015	20" x 18"	31"	29-1/4"	16-3/4"	4"	6"	6"	16-1/2"	18-1/2"	1"
American Standard	Lucerne	0356-421	20" x 18"	31"	29-1/4"	16-3/4"	4"	6"	6"	16-1/2"	18-1/2"	1"
American Standard	Lucerne	0356-439	20" x 18"	31"	29-1/4"	16-3/4"	4"	6"	6"	16-1/2"	18-1/2"	1"
American Standard	Murro	0954-000	22" x 21"	34"	32-3/8"	16-7/8"	3-15/16"	5-15/16"	3-15/16"	15"	15-3/4"	1/2"
American Standard	Murro	0955-000	22" x 21"	34"	32-3/8"	16-7/8"	3-15/16"	5-15/16"	3-15/16"	15"	15-3/4"	1/2"
American Standard	Murro	0958-000	22" x 21"	34"	32-3/8"	16-7/8"	3-15/16"	5-15/16"	3-15/16"	15"	15-3/4"	1/2"
American Standard	Decorum	9024-Series	20" x 18"	34"	32"	16-1/2"	3-1/8"	5-15/16"	5-15/16"	16"	15-3/4"	1"
American Standard	Wheelchair	9140-013	20" x 27"	34"	32-1/4"	16-3/4"	7-1/2"	7"	7"	22-1/2"	22-1/4"	1"
American Standard	Wheelchair	9140-021	20" x 27"	34"	32-1/4"	16-3/4"	7-1/2"	7"	7"	22-1/2"	22-1/4"	1"
American Standard	Wheelchair	9140-047	20" x 27"	34"	32-1/4"	16-3/4"	7-1/2"	7"	7"	22-1/2"	22-1/4"	1"
American Standard	Wheelchair	9141-011	20" x 27"	34"	32-1/4"	16-3/4"	7-1/2"	7"	7"	22-1/2"	22-1/4"	1"
American Standard	Wheelchair	9141-911	20" x 27"	34"	32-1/4"	16-3/4"	7-1/2"	7"	7"	22-1/2"	22-1/4"	1"

Note: The dimensions in this table are based on information available. All dimensions should be verified with the fixture manufacturer.

We do not accept responsibility for rough-in dimension changes by the fixture manufacturer.

### Create Item Number

## 837-A

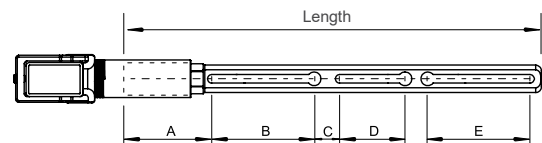
e.g. **837-7C15**: Lavatory carrier with 15.75" concealed arms

#### ARM LENGTH A

**7C15** = 15.75" Arms

**7C18** = 18.50" Arms

**7C22** = 22.25" Arms



A	B	C	D	E
3.25"	3.25"	1.00"	3.13"	3.88"
4.00"	4.50"	1.13"	2.88"	4.50"
4.00"	4.50"	1.13"	5.38"	5.50"