

# LARGE-CAPACITY FLOOR DRAIN

860 SERIES

FatMax™

## SPECIFICATION

Sioux Chief 860 Series Large-Capacity floor drain with round top. Includes coated cast iron drain body with plugged 1/2" NPT trap primer port, clamping collar, and vandal-resistant grate.

Used in warehouses, mechanical rooms, parking garages, and other areas. Designed in accordance with ASME A112.6.3

## GRATE FREE AREA

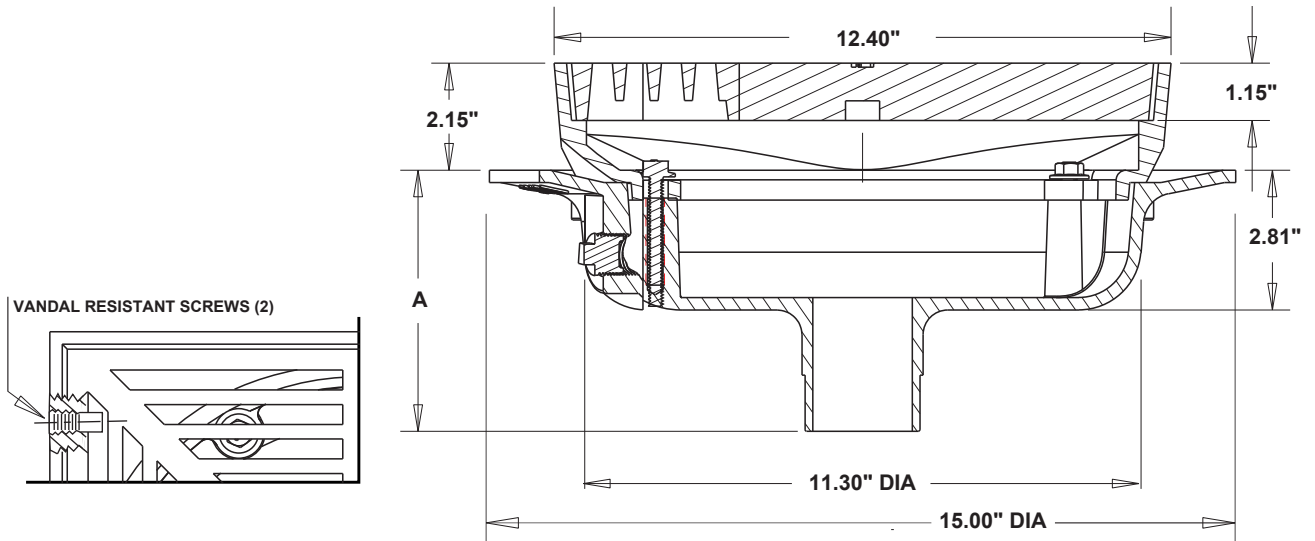
54.2 in<sup>2</sup>

## GRATE LOAD RATING

Heavy-Duty - standard (for safe load between 5,000 - 7,500 lbs.)  
Extra Heavy-Duty - optional (for safe load between 7,500 - 10,000 lbs.)

## DIMENSIONS

A: Drain body height	No-Hub	Push-Joint
2" Connection	5.25"	4.60"
3" Connection	4.60"	4.60"
4" Connection	4.60"	4.60"
6" Connection	5.25"	5.45"
8" Connection	5.25"	N/A



## Create Item Number

### 860-ABCD

e.g. 860-Q224INB: Heavy-duty floor drain with 4" No-Hub connection, debris bucket and square cast iron strainer with NB veneer

#### CONNECTION TYPE A

Q22 = No-Hub  
Q26 = Push-Joint<sup>1</sup>

#### CONNECTION SIZE B

2 = 2" connection  
3 = 3" connection  
4 = 4" connection  
6 = 6" connection  
8 = 8" connection

#### GRATE TYPE C

I = Cast iron grate  
IN = Cast iron grate with nickel-bronze veneer

#### OPTIONS D

9 = Side-outlet connection<sup>3</sup>  
A = Acid-resistant epoxy coated  
B = Debris bucket<sup>2</sup>  
E = Adjustable extension  
T = Threaded adjustable extension  
H = Hinged grate<sup>4</sup>  
X = Extra heavy-duty grate (7,500 - 10,000 lbs.)

1: Not available for 8" connection | 2: Not available for drains with 'E' or 'T' extensions | 3: For 2" - 4" No-Hub connection only | 4: Not available with NB veneer