

LARGE-CAPACITY FLOOR DRAIN

» 860 SERIES

FatMax™

SPECIFICATION

Sioux Chief 860 Series Large-Capacity floor drain with round top. Includes coated cast iron drain body with plugged 1/2" NPT trap primer port, clamping collar, and vandal-resistant grate.

Used in warehouses, mechanical rooms, parking garages, and other areas. Designed in accordance with ASME A112.6.3

GRATE FREE AREA

44.2 in²

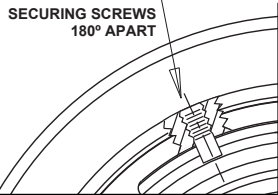
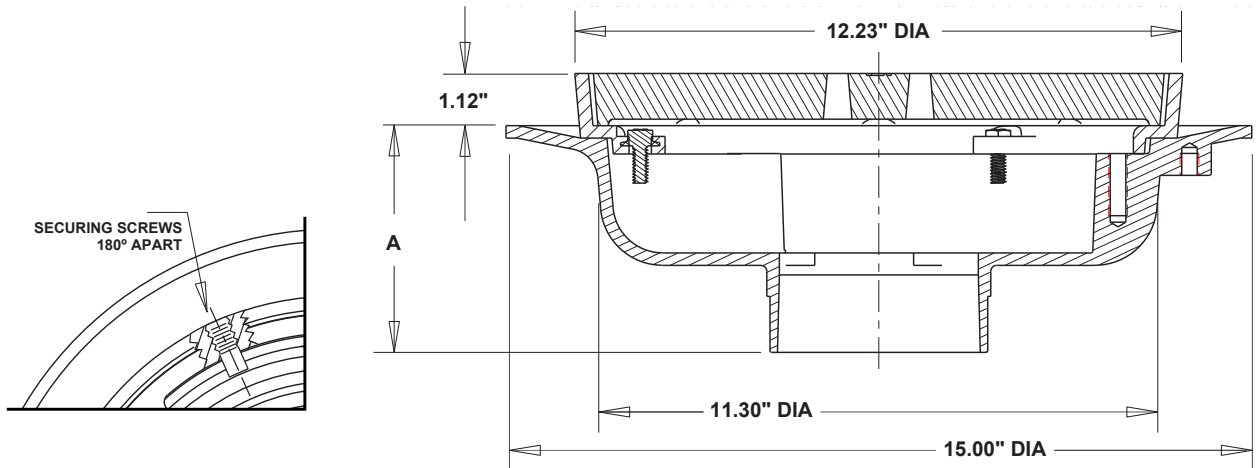
GRATE LOAD RATING

Heavy-Duty - standard (for safe load between 5,000 - 7,500 lbs.)

Extra Heavy-Duty - optional (for safe load between 7,500 - 10,000 lbs.)

DIMENSIONS

A: Drain body height	No-Hub	Push-Joint
2" Connection	5.25"	4.60"
3" Connection	4.60"	4.60"
4" Connection	4.60"	4.60"
6" Connection	5.25"	5.45"
8" Connection	5.25"	N/A



Create Item Number

860-ABCD

e.g. 860-R224INB: Heavy-duty floor drain with 4" No-Hub connection, debris bucket and round cast iron strainer with NB veneer

CONNECTION TYPE A

R22 = No-Hub

R26 = Push-Joint¹

CONNECTION SIZE B

2 = 2" connection

3 = 3" connection

4 = 4" connection

6 = 6" connection

8 = 8" connection

GRATE TYPE C

I = Cast iron grate

IN = Cast iron grate with nickel-bronze veneer

OPTIONS D

9 = Side-outlet connection³

A = Acid-resistant epoxy coated

B = Debris bucket²

E = Adjustable extension

T = Threaded adjustable extension

X = Extra heavy-duty grate (7,500 - 10,000 lbs.)

1: Push-Joint not available for 8" connection | 2: Debris bucket not available for drains with 'E' or 'T' extensions | 3: Side-outlet For 2" - 4" No-Hub connection only