

# CAST IRON SQUARE FLOOR SINK - ARE

## 861 SERIES

### SPECIFICATION

Sioux Chief 861 Series 12" x 8" deep floor sink. Cast iron body and anchor flange with white acid-resisting enamel coated interior and top, includes aluminum dome strainer.

Designed in accordance with ASME A112.6.7

Used in kitchens, restaurants, grocery stores, hospitals, schools and other areas that require a sanitary drain.

### MATERIALS

**Grate:** Nickel-bronze, enamel-coated cast iron

**Sink:** enamel-coated cast iron

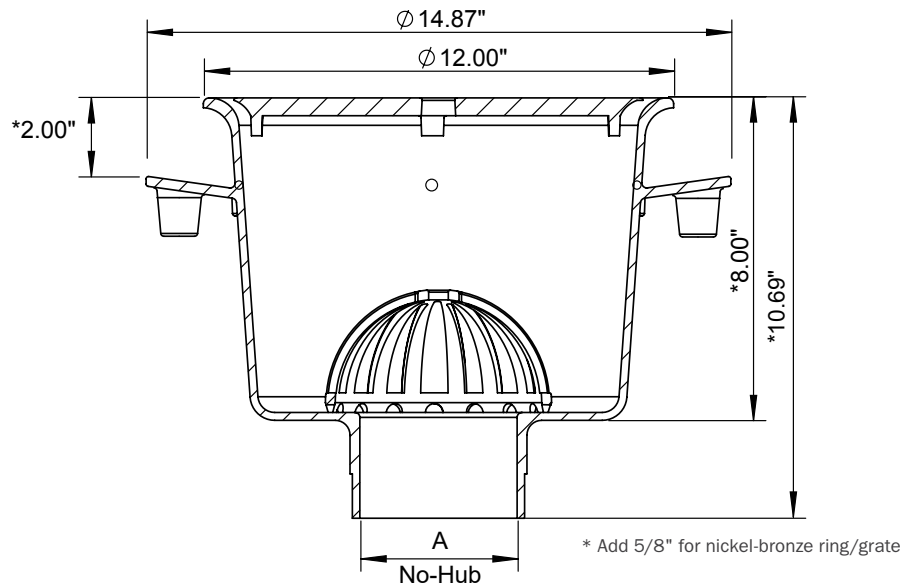
### DIMENSIONS

**A:** Connection (No-Hub)      2"      3"      4"

ITEM # SUBMITTED	_____
JOB NAME	_____
LOCATION	_____
ENGINEER	_____
CONTRACTOR	_____
PO#	_____ TAG _____



861-RF2328



### Create Item Number

### 861-A B C

e.g. **861-RF2328A2C:** 3" No-Hub floor sink with open-half enamel-coated cast iron grate and clamping collar

#### CONNECTION SIZE **A**

**RF2228** = 2" No-Hub

**RF2328** = 3" No-Hub

**RF2428** = 4" No-Hub

#### GRATE TYPE **B**

No grate (standard)

**A** = enamel-coated cast iron grate

**N** = Nickel-bronze frame/grate

#### OPTIONS **C**

**2** = Open-half grate

**3** = Open-quarter grate

**B** = Aluminum Debris bucket

**C** = Clamping collar

**T** = Trap primer adapter