

ADJUSTABLE FLOOR DRAIN WITH ROUND CAST IRON GRATE & VENEER

862 SERIES

SPECIFICATION

Sioux Chief 862 Series coated cast iron adjustable floor drain with anchor flange, weep holes, clamping collar, adjustable square cast iron top with secured, heel-resistant and vandal-resistant grate with nickel-bronze veneer, 1/2" NPT trap primer (plugged) and bottom outlet. Designed in accordance with ASME A112.6.3

General purpose floor drain for use in finished floor areas with heavy-duty traffic.

MATERIALS

Drain body: cast iron
Clamping collar: cast iron
Head/grate: cast iron
Rim/grate veneer: nickel-bronze

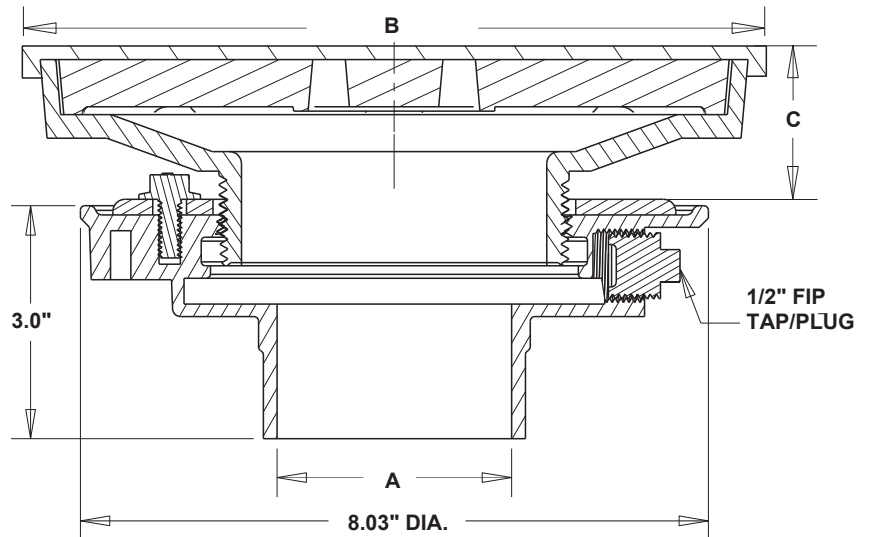
LOAD RATING

Extra Heavy-duty (7,500 - 10,000 lbs). Heel-resistant

DIMENSIONS

A: Connection size (No-Hub) 2", 3", 4"
B: Top diameter 9.5"
C: Strainer adjustment 1.75" - 2.75"
 Strainer free-area 24.0 in²

ITEM # SUBMITTED	_____
JOB NAME	_____
LOCATION	_____
ENGINEER	_____
CONTRACTOR	_____
PO#	_____ TAG _____



Create Item Number

862-ABC

e.g. **862-239INQB:** Floor drain - 3" No-Hub connection, square cast iron head/strainer with nickel-bronze veneer and debris bucket

CONNECTION TYPE A

2 = No-Hub outlet
6 = Push-Joint outlet

CONNECTION SIZE B

29INQ = 2"
39INQ = 3"
49INQ = 4"

OPTIONS C

A = Epoxy-coated body/collar
B = Debris bucket
X = Drain head extension adapter