

ABOVE-GRADE FLOOR DRAIN

863 SERIES

SPECIFICATION

Sioux Chief 863 series adjustable above-grade floor drain shall be used where necessary in drainage systems. Floor drain shall have an adjustable finish fixture, invertible flashing collar with openings to allow secondary drainage. ABS/PVC base adapter shall include a Sch. 40 hub connection, which conforms to ASTM D2665 (PVC) or D2661 (ABS). Strainer shall be heel-resistant and meet applicable load requirements for intended use. Designed in accordance with ASME A112.6.3-2001.

MATERIALS

Ring/strainer: Nickel-bronze, 304 Stainless steel
Head adapter/Clamping collar: ABS
Base adapter: PVC, ABS

STRAINER LOAD RATING

	Large Top:	Std. Top
Nickel-Bronze:	750 lbs. (light duty)	1,650 lbs. (light duty)
Stainless Steel:	1,000 lbs. (light duty)	2,000 lbs. (light duty)

STRAINER FREE AREA

	Large Top:	Std. Top
Round pattern:	13.4 in ²	8.5 in ²
Square pattern:	16.4 in ²	12.75 in ²

DIMENSIONS

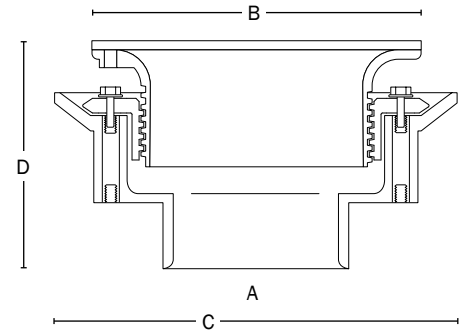
A: Connection size	2", 3", 4" Sch. 40 hub
B: Ring/strainer diameter	
Round (Std. Large)	5-1/2" 6-1/2"
Square (Std. Large)	5-7/8" 7"
C: Flange diameter	8-1/2"
D: Adjustable height ¹	4-1/2" - 6-3/8"

¹ Max height noted with flashing collar inverted.

ITEM # SUBMITTED	_____
JOB NAME	_____
LOCATION	_____
ENGINEER	_____
CONTRACTOR	_____
PO#	_____ TAG _____



863-43NR



Create Item Number

863-ABCD

e.g. **863-435NQV:** 3" PVC Sch. 40 hub floor drain with square vandal-resistant nickel-bronze ring/strainer

CONNECTION TYPE A

3 = ABS Sch. 40 hub
4 = PVC Sch. 40 hub

CONNECTION SIZE | TOP SIZE B

2 = 2" connection | Large top
25 = 2" connection | Std. top
3 = 3" connection | Large top
35 = 3" connection | Std. top
4 = 4" connection | Large top

RING/STRAINER TYPE C

NR = Round Nickel-bronze
SR = Round Stainless steel
NQ = Square Nickel-bronze
SQ = Square Stainless steel

OPTIONS D

V = Vandal-resistant strainer screws
H = Hinged Strainer²
Y = Iron head adapter in place of ABS
D = Iron clamping collar in place of ABS
T = Tapped 1/2" FIP trap primer port
E = 1-1/4" Extended strainer rim³
B = Complies with Buy American Act³
M = Medium-duty strainer (3,000 lb. load)⁴

Accessories - Available Separately:

835-2: TrapShield™ for 2" drain outlet
 835-3: TrapShield™ for 3" drain outlet
 835-35: TrapShield™ for Std. top drain head
 835-4: TrapShield™ for 4" drain outlet
 842-UM: Stainless steel mesh debris basket for Large Tops
 863-FA: Round aluminum condensate funnel
 863-FN: Round nik-brz condensate funnel
 863-FNO: Oval nik-brz condensate funnel

² Available for Large Tops only | ³ Available for round nickel-bronze strainers only | ⁴ For large, round, SS strainers only