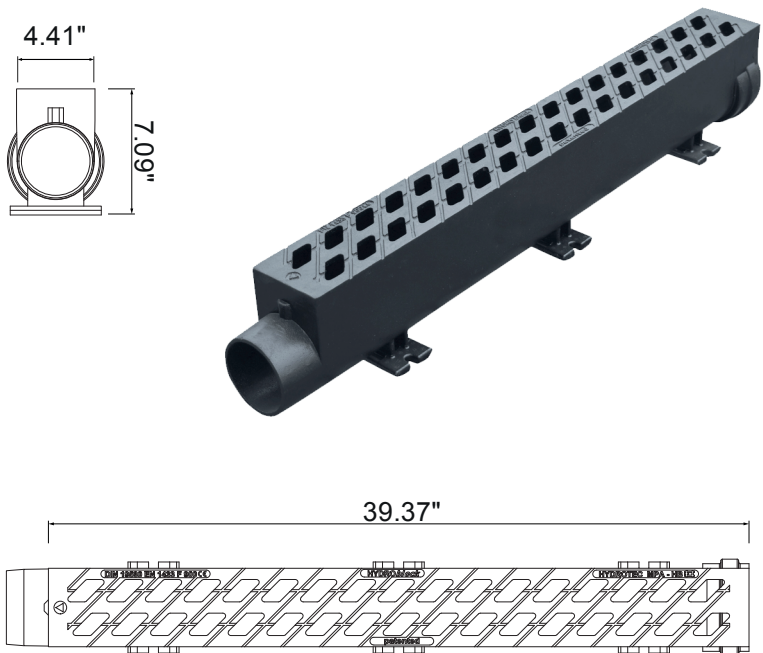


## HydroBlock 100 System Ductile Iron Channel/Grate / F900

<p><b>Product Specifications</b></p> <p><b>Part No.:</b> 865-HB400FA</p> <p><b>Load Class:</b> F900 (198,000 lbs) according EN 1433 Certified by MPA-HB (independent laboratories)</p> <p><b>Material:</b> Ductile Iron GJS-500-7 (ASTM A536 70-50-05)</p> <p><b>Water Intake:</b> 52.24 sq/in (337 cm<sup>2</sup>)</p> <p><b>Locking:</b> One piece trench drain with no loose parts. Outlet sections are locked by 4 stainless steel screws.</p> <p><b>Use:</b> This channel is developed to be installed in areas with high dynamic forces. HydroBlock is qualified as "Type I" according EN 1433.</p>	
---	---

### Outlet Sections

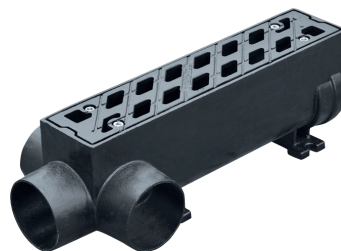
**Bottom Outlet**  
Part No.: 865-HB4005BFA



**Left/Right Side Outlet**  
Part No.: 865-HB4005SFA



**Left/Right/End Outlet**  
Part No.: 865-HB4005HSFA



**Catch Basin**  
Part No.: 865-HB4CBFA



### System Specifications

**HydroBlock 100:**

The channel section is made of ductile iron and certified to EN 1433 Load Class F900 and is qualified as TYPE I. The gasket connection ensures a fast, watertight installation.

**Catch Basin (865-HB4CBFA):**

The catch basin is one of 4 available outlet sections and contains a galvanized steel debris screen. It is connected to the ground pipe by a 4" or 6" pipe.

**Outlet Sections:**

Outlet section length is 19.69" (1/2 m). Outlets are recommended at least every 75ft as inspection points to the channel run.

