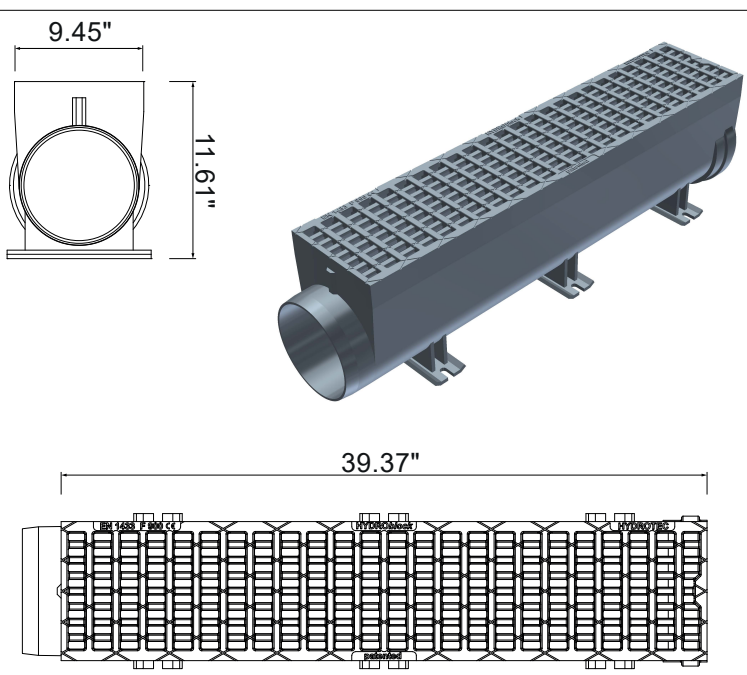
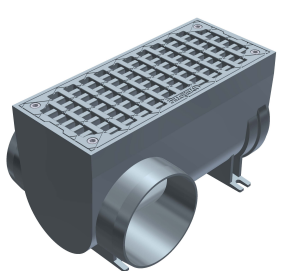
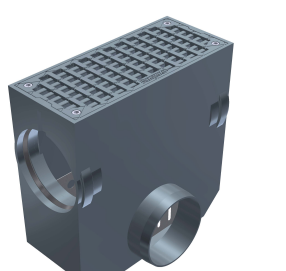
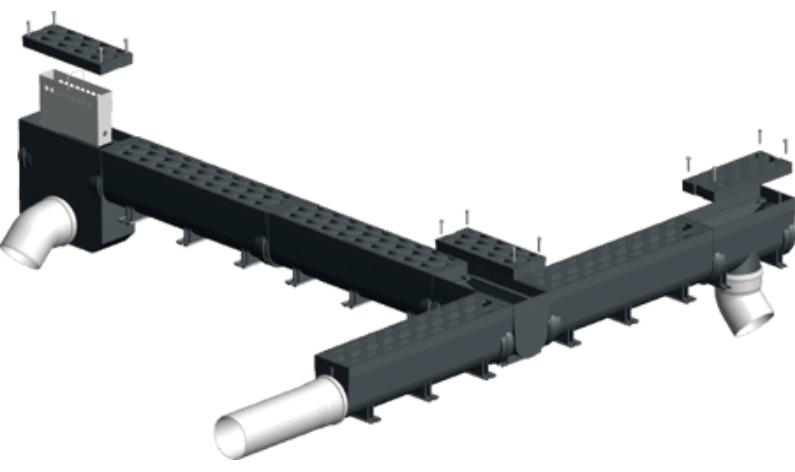


HydroBlock 200 System Ductile Iron Channel/Grate / F900 / ADA

<p>Product Specifications</p> <p>Part. No.: 865-HB8ADA00FA</p> <p>Load Class: F900 (198,000 lbs) according EN 1433 Certified by MPA-HB (independent laboratories)</p> <p>Material: Ductile Iron GJS-500-7 (ASTM A536 70-50-05)</p> <p>Water Intake: 87.73 sq/in (566 cm²)</p> <p>Weight: 145.73 lbs (66.1 kg)</p> <p>Surface: Slot design (0.47" x 1.10") ensures high water intake. Slip-resistant design.</p> <p>Locking: One piece trench drain with no loose parts. Outlet sections are locked by 4 stainless steel screws.</p> <p>Use: This channel is developed to be installed in areas with high dynamic forces. HydroBlock is qualified as "Type I" according EN 1433.</p>	
---	---

<p>Outlet Sections</p> <p>Bottom Outlet Part No.: 865-HB8ADA005BFA</p> 	<p>Left/Right Side Outlet Part No.: 865-HB8ADA005SFA</p> 	<p>Catch Basin Part No.: 865-HB8ADACBFA</p> 
--	---	--

<p>System Specifications</p> <p>HydroBlock 200: The channel section is made of ductile iron and certified to EN 1433 Load Class F900 and is qualified as TYPE I. The gasket connection ensures a fast, watertight installation.</p> <p>Catch Basin (865-HB8ADACBFA): The catch basin is one of 3 available outlet sections and contains a galvanized steel debris screen. It is connected to the ground pipe by an 8" pipe.</p> <p>Outlet Sections: Outlet section length is 19.69" (1/2 m). Outlets are recommended at least every 75ft as inspection points to the channel run.</p>	
---	--