

Maxi 200 System Ductile Grate / F900 / ADA

Product Specifications

Part. No.:
865-M8N00FA

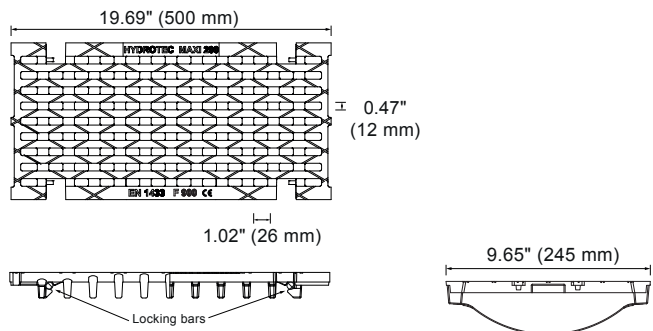
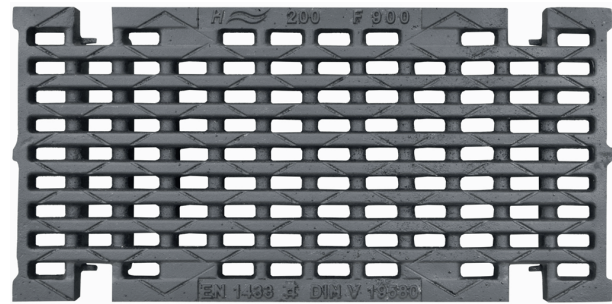
Load Class:
F900 (198,000 lbs) according EN 1433 Certified by MPA-HB (independent laboratories)

Material: Ductile Iron GJS-500-7 (ASTM A536 70-50-05) **Locking:** Patented boltless grate locking system

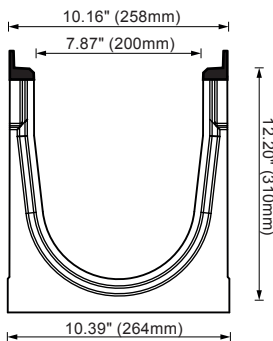
Surface: Longitudinal slot design (0.47" x 1.02") ensures high water intake. Slots according ADA Standards

Weight: 35.94 lbs (16.3 kg) **Water intake:** 150.35 in² (970 cm²) per meter

Use: This grate is designed for use with HydroTec Maxi 200 channels made of fiber reinforced concrete with a ductile iron edge protection.



Fiber Reinforced Concrete Channel



System Specifications

Grate Locking Tool (Part No. 865-TOOL): The Grate Locking Tool is made of galvanized steel. It's used to lock and unlock the grate.

Grate: The grate is made of ductile iron and certified to EN 1433 Load Class F900.

Locking Bar (Part No. 865-8LR): Two locking bars fix the grate to the channel body. They're unlocked by the Grate Locking Tool.

MAXI 200 Channel: The channel body is made of fiber reinforced concrete with a ductile iron edge protection. Connecting profiles at the end of the channel guarantee an easy and fast installation.

