

# ROOF DRAIN WITH ADJUSTABLE WEIR

## 868 SERIES

### SPECIFICATION

Sioux Chief 868 Series 15" diameter adjustable weir roof drain with No-Hub connection. Coated cast iron body with combination membrane flashing clamp/gravel guard and vandal-resistant, low profile dome strainer. Designed in accordance with ASME A112.6.4

Used on any type of flat roofs. Low profile dome prevents debris from entering the drain line. The anchor flange and membrane clamp provide a secure grip of membrane and roof flashing materials. Adjustable weir allows versatility for location and sizing

### MATERIALS

**Dome strainer:** cast iron, ABS, aluminum

**Internal Weir:** cast iron

**Gravel guard:** cast iron

**Drain body:** cast iron

### WEIR FLOW RATES

Weir Position	1 (20°)	2 (40°)	3 (60°)	4 (80°)	5 (100°)
Rainfall Depth: 1"	3 GPM	5 GPM	8 GPM	10 GPM	15 GPM
Rainfall Depth: 2"	5 GPM	10 GPM	15 GPM	20 GPM	30 GPM
Rainfall Depth: 3"	8 GPM	15 GPM	30 GPM	45 GPM	60 GPM

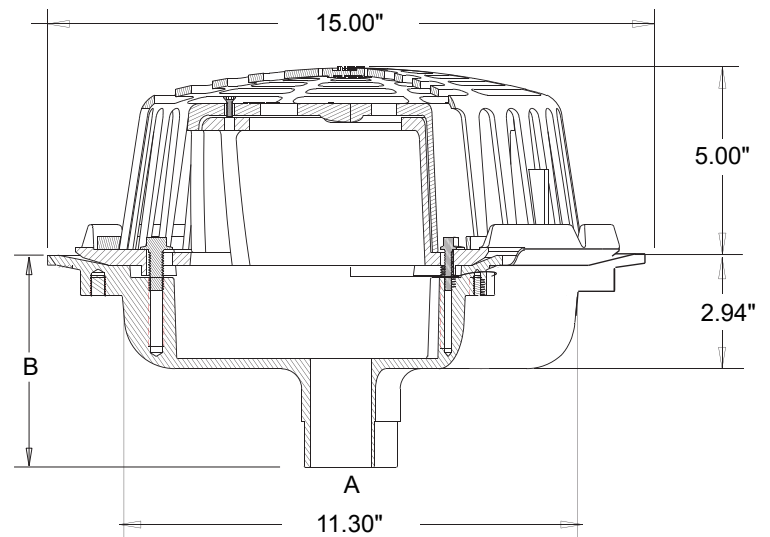
### DIMENSIONS

<b>A:</b> Connection - No-Hub	3"	4"	6"
<b>B:</b> Body height	4.60"	4.60"	5.25"

### STRAINER FREE-AREA

105.3 in<sup>2</sup>

ITEM # SUBMITTED	_____
JOB NAME	_____
LOCATION	_____
ENGINEER	_____
CONTRACTOR	_____
PO#	_____ TAG _____



### Create Item Number

## 868-ABC

e.g. **868-F523BP**: Adjustable weir roof drain with 3" No-Hub connection, ABS dome, and top-mount sump receiver

#### CONNECTION A

**F523** = 3" No-Hub  
**F524** = 4" No-Hub  
**F526** = 6" No-Hub

#### DOMESTRAINER B

Cast iron dome is standard  
**B** = ABS dome  
**A** = Aluminum dome

#### OPTIONS C

**9** = Side-outlet connection<sup>1</sup>  
**4** = 4" high SS perf. extension  
**S** = Sump receiver  
**E** = Adjustable extension  
**2** = 2" high SS perf. extension  
**P** = Top-mount sump receiver<sup>2</sup>  
**C** = Underdeck clamp kit  
**G** = 2" high SS perf. gravel guard

<sup>1</sup> Not available for 6" roof drains

<sup>2</sup> Includes sump receiver plate and drain-to-plate attachment hardware