

ROOF DRAIN WITH FIXED WEIR

868 SERIES

SPECIFICATION

Sioux Chief 868 Series 10" diameter fixed weir roof drain with No-Hub connection. Coated cast iron body with combination membrane flashing clamp/gravel guard and vandal-resistant, cast iron dome strainer. Designed in accordance with ASME A112.6.4

Used on any type of flat roofs. Cast iron dome prevents debris from entering the drain line. The anchor flange and membrane clamp provide a secure grip of membrane and roof flashing materials. Weir opening allows for a fixed flow rate.

MATERIALS

Dome strainer: cast iron

Internal Weir: cast iron

Gravel guard: cast iron

Drain body: cast iron

FLOW RATE

Weir opening allows 5 GPM per inch of head (water depth)

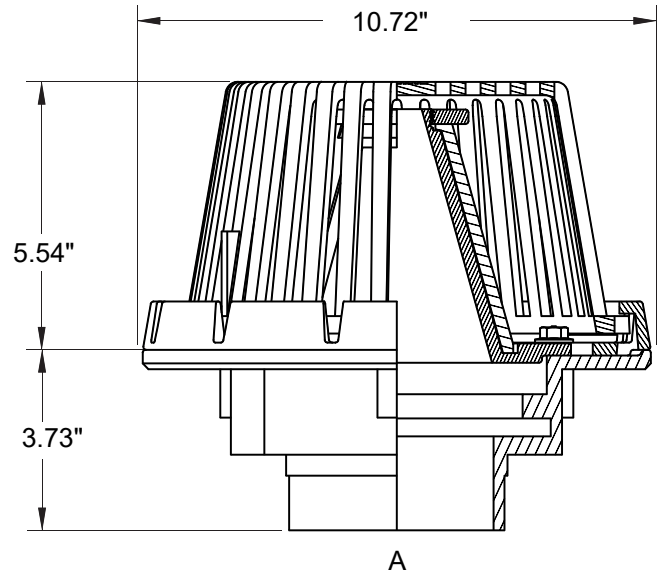
DIMENSIONS

A: Connection - No-Hub 3" 4"

STRAINER FREE-AREA

77.2 in²

ITEM #	SUBMITTED
JOB NAME	
LOCATION	
ENGINEER	
CONTRACTOR	
PO#	TAG



Create Item Number

868-AB

e.g. **868-M123P:** Fixed weir roof drain with 3" No-Hub connection and top-mount sump receiver

CONNECTION A

M123 = 3" No-Hub

M124 = 4" No-Hub

OPTIONS B

P = Top-mount sump receiver¹

S = Sump receiver

C = Underdeck clamp kit

¹ Includes sump receiver plate and drain-to-plate attachment hardware