

ROOF DRAIN

» 868 SERIES

SPECIFICATION

Sioux Chief 868 series roof drain shall be used where necessary in drainage systems. Drain shall have U.V. resistant PVC, or aluminum dome strainer, and aluminum gravel guard/flashing clamp. Roof drain shall have a PVC body with Sch. 40 hub connection. Connection to drainage system shall be made with a solvent weld joint to PVC pipe.

Designed in accordance with ASME A112.6.4-2003

MATERIALS

Dome strainer: PVC, aluminum with black e-coat

Gravel Guard/Flashing Clamp: Aluminum with black e-coat

Drain Body: PVC

STRAINER FREE AREA

49.5 in²

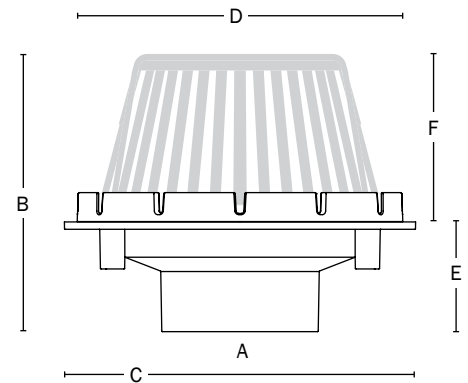
DIMENSIONS

	3" Sch. 40 Hub	4" Sch. 40 Hub	6" Sch. 40 Hub
A: Connection	3" Sch. 40 Hub	4" Sch. 40 Hub	6" Sch. 40 Hub
B: Overall height	8-9/16"	8-5/8"	10-3/8"
C: Flange diameter	11"	11"	11"
D: Guard/Clamp diameter	10-3/16"	10-3/16"	10-3/16"
E: Body height	3-3/8"	3-7/16"	5-3/16"
F: Elevation	5-3/16"	5-3/16"	5-3/16"

ITEM # SUBMITTED	_____
JOB NAME	_____
LOCATION	_____
ENGINEER	_____
CONTRACTOR	_____
PO#	_____ TAG _____



868-P4



Create Item Number

868-AB

e.g. **868-P4MUS:** Roof drain with 4" PVC Sch. 40 hub connection, aluminum dome, underdeck clamp, and sump receiver

CONNECTION SIZE **A**

- P3** = 3" No-Hub
- P4** = 4" No-Hub
- P6** = 6" No-Hub

OPTIONS **B**

- M** = Aluminum dome strainer¹
- V** = Vandal-resistant dome screws
- W** = 2-1/4" External water dam
- P** = Perforated dome cover²
- U** = Underdeck clamp kit
- S** = Sump receiver
- E** = Extension collar kit

Accessories - Available Separately:

- 868-HD: PVC replacement dome strainer
- 868-MD: Aluminum replacement dome strainer
- 868-WD: Aluminum 2-1/4" external water dam
- 868-C: Underdeck clamp kit (clamp + hardware)
- 868-E: Extension collar kit (collar + hardware)
- 868-S: Galvanized sump receiver

¹ Aluminum dome strainer in lieu of PVC (standard) | ² Stainless steel with 0.25" dia. openings