

LARGE-CAPACITY MAIN ROOF DRAIN

» 868 SERIES

SPECIFICATION

Sioux Chief 868 series cast iron large capacity main roof drains shall be used where necessary in drainage systems. Roof Drain shall have a low profile cast iron dome strainer and cast iron gravel guard. Strainer shall turn-to-lock into gravel guard. Cast iron drain body shall have no-hub connection. Designed in accordance with ASME A112.6.4

Used on any type of flat roofs. Low profile dome prevents debris from entering the drain line. The anchor flange and membrane clamp provide a secure grip of membrane and roof flashing materials.

MATERIALS

Dome strainer: coated cast iron

Gravel guard / Flashing clamp: coated cast iron

Drain body: coated cast iron

STRAINER FREE-AREA

178 in²

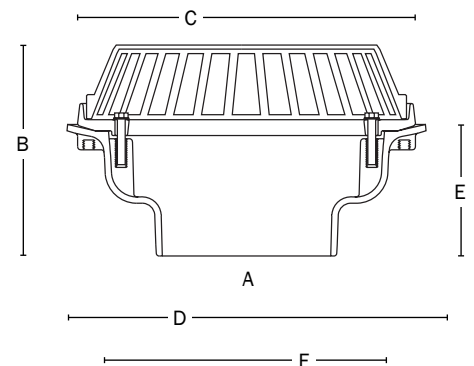
DIMENSIONS

A: Connection - No-Hub	10", 12"
B: Overall height	11.75"
C: Body height	7.375"
D: Overall diameter	20"
E: Gravel guard diameter	19"
F: Body diameter	16.125"

ITEM # SUBMITTED	_____
JOB NAME	_____
LOCATION	_____
ENGINEER	_____
CONTRACTOR	_____
PO#	_____ TAG _____



868-2010



Create Item Number

868-AB

e.g. **868-2010HS:** 10" No-Hub main roof drain with undermount hardware kit and sump receiver

CONNECTION A

2010 = 10" No-Hub

2012 = 12" No-Hub

OPTIONS B

H = Undermount hardware kit¹

U = Underdeck clamp kit

S = Sump receiver

W = 2" high, external water dam

¹ Attaches drain body to sump receiver

Accessories - Available Separately:

868-20CD: Cast Iron Dome Strainer

868-20S: Sump Receiver

30" x 30" x 10-ga. powder-coated steel

868-20SH: Undermount Hardware Kit

Rod/nuts/washers. Attaches drain body to sump receiver

868-20U: Underdeck Clamp Kit

Rod/nuts/washers/clamping plates. Anchors drain to structure

868-20WD: 2" High External Water Dam