

STAINLESS STEEL DOWNSPOUT COVER

868 SERIES

SPECIFICATION

Sioux Chief 868 Series stainless steel downspout cover shall be used where necessary in drainage systems. Cover shall have a wide mounting flange with holes for attachment to wall structure, and incorporate a hinged, perforated cover with single screw locking closure.

MATERIALS

304 Stainless steel

DIMENSIONS

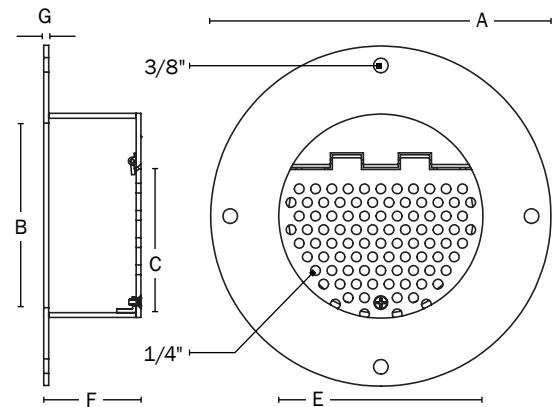
	-N3S	-N4S	-N6S	-N8S
A: Flange diameter	7-3/4"	8-3/4"	10-7/8"	12-7/8"
B: Inlet diameter	3-3/4"	4-3/4"	6-7/8"	8-7/8"
C: Outlet height	3"	4"	5-5/8"	7-3/8"
D: Free area ¹	1.91 in ²	3.96 in ²	8.52 in ²	15.43 in ²
E: Barrel OD	4-1/4"	5-1/4"	7-3/8"	9-3/8"
F: Depth	2-1/2"	2-1/2"	2-1/2"	2-1/2"
G: Thickness	1/8"	1/8"	1/8"	1/8"

1 Total open area of perforation

ITEM # SUBMITTED	_____
JOB NAME	_____
LOCATION	_____
ENGINEER	_____
CONTRACTOR	_____
PO#	_____ TAG _____



868-N4S



Create Item Number

868-A

e.g. **868-N4S**: Hinged stainless steel downspout cover for 4" pipe

COVER SIZE A

- N3S** = Nozzle cover for 3" pipe
- N4S** = Nozzle cover for 4" pipe
- N6S** = Nozzle cover for 6" pipe
- N8S** = Nozzle cover for 8" pipe