

BACKWATER VALVE

» 869 SERIES

SPECIFICATION

Sioux Chief 869 Series backwater valve shall be installed where necessary in drainage systems. Backwater valve shall be installed in horizontal drainage lines to reduce or prevent damage to dwelling from sewage backup. Backwater valve shall have a stepped design with a one-way flapper to prevent back flow of sewage/drainage. Flapper shall have an o-ring seal and allow unrestricted, unidirectional flow while reducing the straining of effluent. Designed in accordance with ASME A112.14.1-2003.

MATERIALS

Valve Body / Lid / Flapper: ABS, PVC
O-ring (Sealing Lid & Flapper): Elastomer
Extension sleeve: PVC¹
Extension sleeve collar: PVC¹
Extension sleeve lid: PVC¹

BACKFLOW PRESSURE

Withstands backflow up to 5 PSI²

DIMENSIONS

Connection size	2" Sch. 40 hub
A: Overall height (in)	3-7/8"
B: Overall height (out)	4-1/8"
C: Overall width	5"
D: Vertical offset	1/4"
E: Sealing lid diameter	3-3/4"
F: Sleeve height	16"
G: Sleeve diameter	4-1/4"

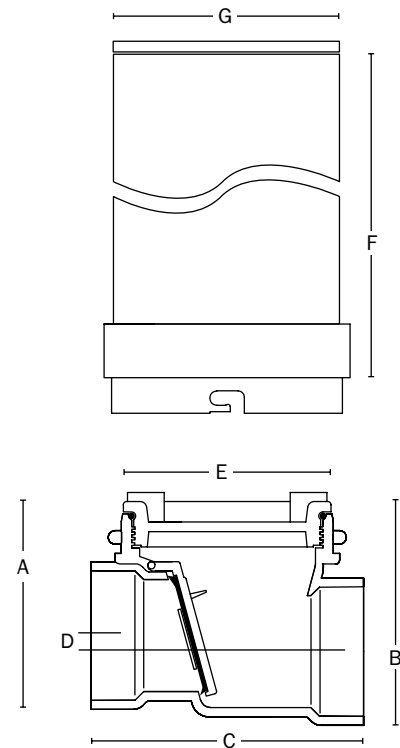
¹ Access sleeve is optional, and includes locking collar and lid

² Regular inspection of the flapper and sealing surfaces and general maintenance are required to ensure proper function of all backwater valves.

ITEM # SUBMITTED	_____
JOB NAME	_____
LOCATION	_____
ENGINEER	_____
CONTRACTOR	_____
PO#	_____ TAG _____



869-2P



Create Item Number

869-A

e.g. **869-2P:** 2" PVC connection DWV backwater valve

VALVE TYPE A

- 2A** = ABS valve/connection
- 2P** = PVC valve/connection
- 2PS** = PVC valve with extension sleeve kit (collar/sleeve/lid)

Accessories - Available Separately:

869-23: Extension sleeve kit (collar/sleeve/lid)