

DWV BACKWATER VALVE WITH DEEP-BURY ADAPTER KIT

869 SERIES

ProCheck™

SPECIFICATION

Sioux Chief 869 series ProCheck backwater valves shall be used where necessary in drainage systems. Backwater valve shall be installed in horizontal drainage lines to reduce or prevent damage to dwelling from sewage backup. Backwater valve shall have a stepped design to provide adequate fall through the valve body and encourage flow. Flapper shall install into valve body via removable carrier, which utilizes key-to-slot fit to ensure proper alignment. Flapper shall have a permanent, one-piece sealing surface, and allow unrestricted, unidirectional flow. Backwater valve shall be adaptable to deep-bury installations utilizing upper and lower adapter fittings, which conform to ASTM D2665 (PVC) or D2661 (ABS). Valve assembly shall be sealed by an impact/solvent resistant lid with o-ring. Designed in accordance with ASME A112.14.1-2003

MATERIALS

Valve Body: ABS or PVC

Sealing Lid: Polypropylene with EPDM o-ring

Flapper Carrier: ABS

Flapper: Elastomer-overmolded polypropylene

Deep-Bury Adapter Fittings: ABS or PVC

Extension Sleeve: 6" Sch. 40 ABS or PVC pipe¹

Carrier Handle: 1-1/2" Sch. 40 ABS or PVC pipe¹

BACKFLOW PRESSURE

Withstands backflow up to 10 psi²

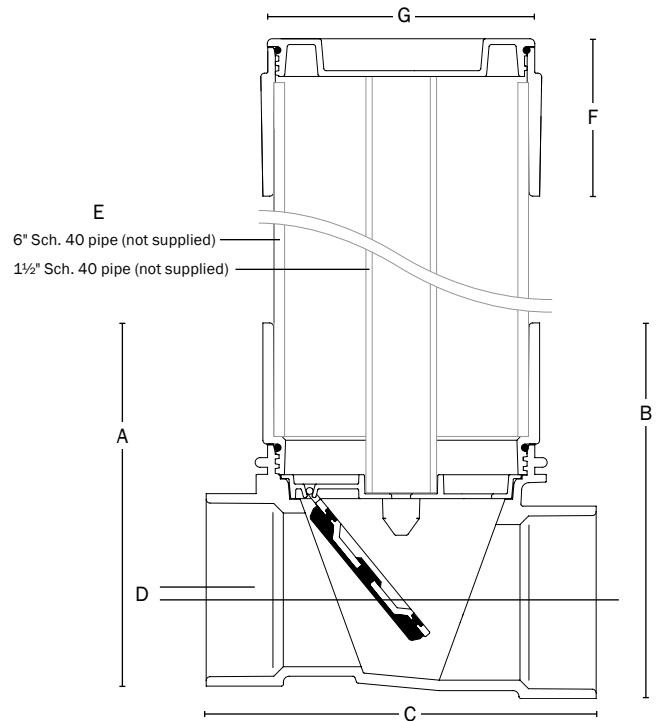
DIMENSIONS

Connection	3" Sch. 40 hub	4" Sch. 40 hub
A: Overall height (in)	8-3/8"	9-1/2"
B: Overall height (out)	8-1/16"	9-3/16"
C: Overall width	8-1/2"	10-1/8"
D: Vertical offset	5/16"	
E: Deep-Access sleeve & carrier handle	Cut-to-length	
F: Upper fitting height	4-1/4"	
G: Sealing lid diameter	7-1/2"	

¹ Supplied by others

² Regular inspection of the flapper and sealing surfaces and general maintenance are required to ensure proper function of all backwater valves.

ITEM # SUBMITTED	_____
JOB NAME	_____
LOCATION	_____
ENGINEER	_____
CONTRACTOR	_____
PO#	_____ TAG _____



Item Numbers

PROCHECK BACKWATER VALVE

869-S3A = 3" ABS Connection

869-S3P = 3" PVC Connection

869-S4A = 4" ABS Connection

869-S4P = 4" PVC Connection

DEEP-BURY ADAPTER KIT

869-S4ADB = ABS fittings (upper & lower fittings included)

869-S4PDB = PVC fittings (upper & lower fittings included)